



## **BST/FBST COMFORT LINE**

**Curved Sliding Doors**

## Attractive visual appearance, various fields of application.

DORMA BST COMFORT LINE automatic curved sliding doors are the perfect answer to providing entrance areas with a customised and aesthetically pleasing appearance.

The systems can be delivered in half-circle (180°) and full-circle (360°) design. They are available in 6 well-established diameters. The façade connection is realised with a flexible connection profile.

The door systems are manufactured as concave and convex versions. Tailored to your architectural concept, DORMA BST COMFORT LINE automatic curved sliding doors can be designed to either contrast or harmonise with the building façade, providing an all-glass appearance complemented and augmented by the slender profiles of their fine-framing.

They can also be combined with other automatic doors.

### Reliable and safe

As in the case of all components and systems from the DORMA portfolio, DORMA BST COMFORT LINE curved sliding doors excel in reliability and user convenience. The self-learning microprocessor control unit keeps the system running smoothly and reliably. Combining with the integrated presence sensor, it also ensures maximum operational safety.

The doors are designed to order, manufactured to fit and supplied ready for installation. If required, DORMA will also perform the installation and commissioning work. If desired, the doors can be equipped with safety components (sensors) in accordance with DIN 18650.

### For emergency exits and escape routes

Under the designation FBST COMFORT LINE, these curved sliding doors can also be supplied with a redundant operator, an additional control unit for safety purposes and a special radar motion detector.

The FBST is typed-approved by the German TÜV as an "automatic sliding door without breakout for use in escape routes".

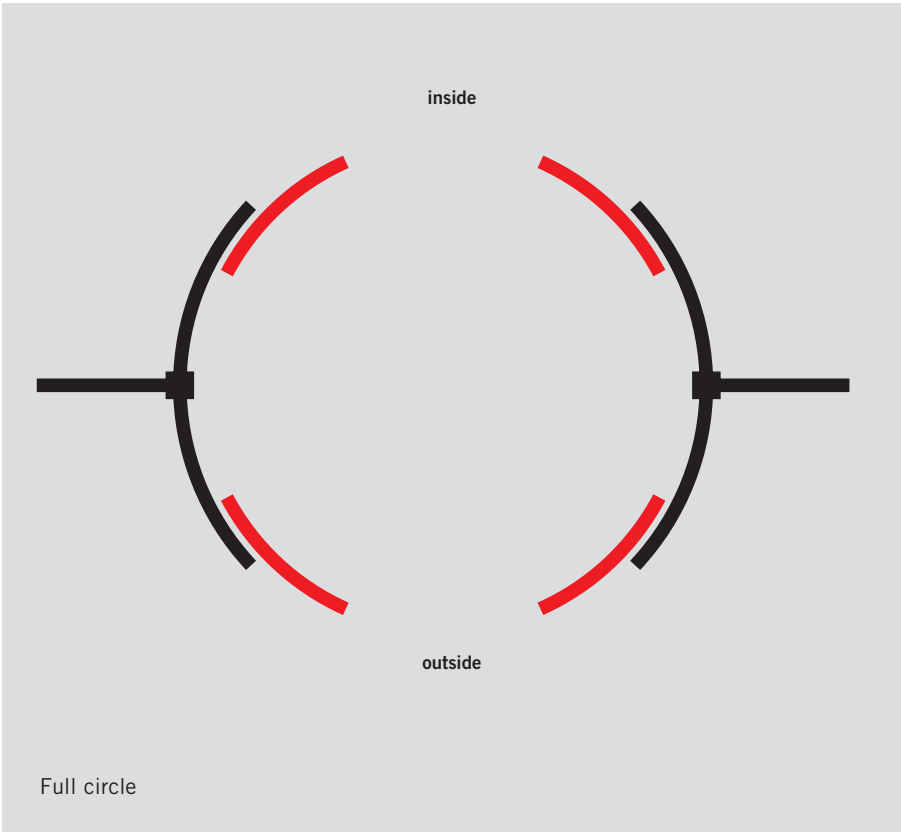
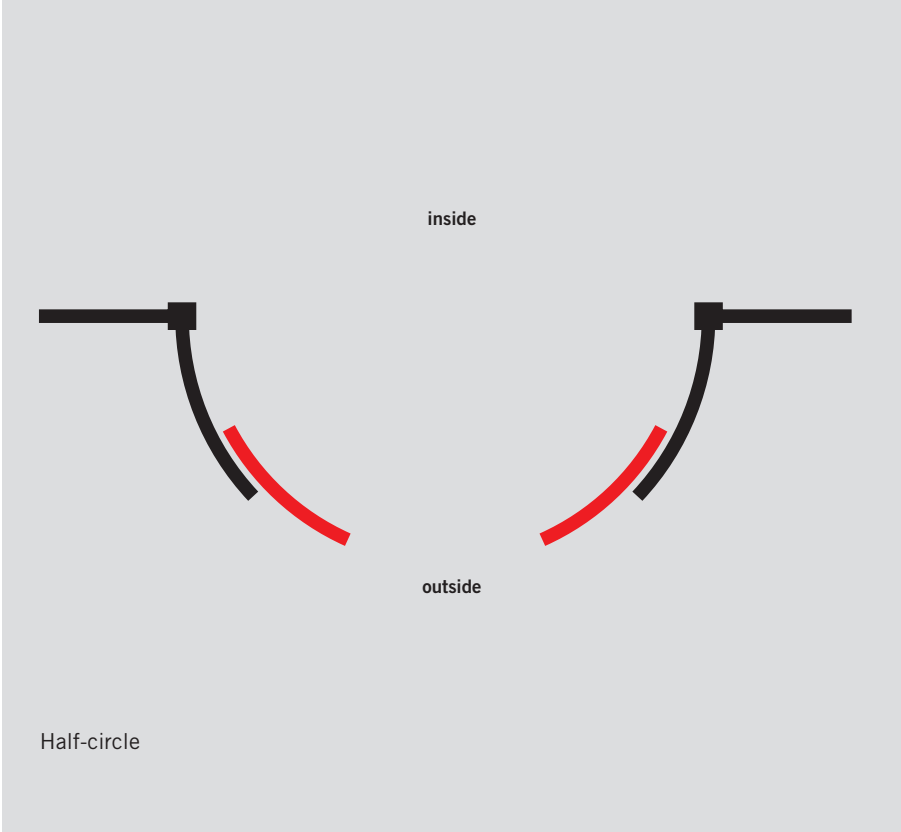
If desired, the doors can be equipped with safety components (sensors) in accordance with DIN 18650.



**DORMA FBST with approval for application in emergency exits and escape routes according to DIN 18650**



# Basic configurations



<b>Data and features</b>	<b>BST COMFORT LINE</b>	<b>FBST COMFORT LINE</b>
Clear passage width LW <sup>2)</sup>	1235, 1519, 1660, 1802, 1943, 2085	1660, 1802 1943, 2085
Escape route		1660, 1802 1943, 2085
Installation width B, min. <sup>2)</sup>	2100 mm	
Passage height H	2200 / 2500 mm <sup>1)</sup>	
Half-circle radius r	1000, 1200, 1300, 1400, 1500, 1600	1300, 1400 1500, 1600
Full circle radius r	1000, 1200, 1300, 1400, 1500, 1600	1300, 1400 1500, 1600
Number of sliding panels	2	
2-panel, symmetrical	●	
Fixed side screens	●	
Canopy height (min.)	260 mm	
Canopy height extension <sup>1)</sup>	260 – 500 mm	
Sliding panel, convex	●	
Max. weight per door panel	80 kg	80 kg

<sup>1)</sup> Standard dimensions (other dimensions on request)

<sup>2)</sup> Depending on radius r

<b>Technical data</b>	<b>BST COMFORT LINE</b>	<b>FBST COMFORT LINE</b>
Power consumption, max.	250 W	
Power consumption, average	30 W	
Supply voltage/frequency	230 V / 50 – 60 Hz	
External power supply	27 V DC / 2 A	
TÜV type-approved	●	
Compliant with the Low Voltage Directive	●	
Manufactured to ISO 9001	●	

<b>Adjustable parameters</b>	<b>BST COMFORT LINE</b>	<b>FBST COMFORT LINE</b>
Opening speed per panel, adjustable	100 – 750 mm/s	
Closing speed per panel, adjustable	100 – 500 mm/s	
Low (creep) speed per panel, adjustable	30 – 90 mm/s	
Opening and closing force, adjustable	●	
Max. force on contact with obstacle	150 N	

Operator and control unit	BST	FBST
Operator	ES 200	ES 200 2D
Microprocessor control unit	●	
Integrated presence sensor	○	
Equipped in accordance with DIN 18650	○	
Obstruction self-recognition	●	
Automatic reversing cycle on obstruction contact	●	
Complete system self-test	●	
Connection for airlock function	●	-
Parameter adjustment capable	●	
Self-learning	●	
Class of protection		IP 20
Pulse expansion for cheque and code card readers or key switches	●	
Potential-free contact	●	
Bus-capable	●	
Door status contact, locking device for door system		○

Program modes	BST	FBST
Off		●
Automatic		●
Exit Only		●
Permanent Open		●
Partial Open, Exit Only		●
Night-/Bank Function		●

Design of ceiling	BST	FBST
Ceiling, melamine, white		●
Upper dust-proof ceiling		●
Rain-proof ceiling with drainage spouts (prepared)		○

Profiles and glazing	BST	FBST
Fine-frame profile system with 8 mm ESG - G		●
Fine-frame profile system with 8,76 mm VSG - G		○

Accessories	BST	FBST
Straight panel board for top façade connection		○
Lateral façade connection glass/panel board		○
Aluminium girder with aluminium cover, external		●
Aluminium girder		●
Downlights		
Ceiling aperture for downlights by others		○
Halogen spot, 20 W, including ceiling aperture and accessories		○
Floor finish		
Emco floor mat		○
Arwei floor mat		○
Floor guide rail		
Surface-mounted floor guide without floor ring		●
Surface-mounted floor guide with floor ring		○
Flush-mounted floor guide with floor ring (Compulsory for clear passage widths (LW) beyond 1500 mm)		○

Accessories/Safety equipment	BST	FBST
Locking device		
Electro-mechanical locking device	○	○
Fail-safe via emergency power supply unit	○	●
Monitored rechargeable battery pack	○	●
Intrinsically safe activator in escape direction	-	●
Radar motion detector, external		○
Radar motion detector, internal		○
Emergency pushbuttons		
Emergency Off function	○	-
Emergency Opening function	-	○

- standard
- optional

## Half-circle and full-circle configurations

### Standard dimensions

Clear passage height	<b>LH</b>
Canopy height	<b>SH</b>
System height	<b>H</b>
Actual radius	<b>r</b>
Internal width	<b>S</b>
System width	<b>B</b>
Clear passage width	<b>LW</b>

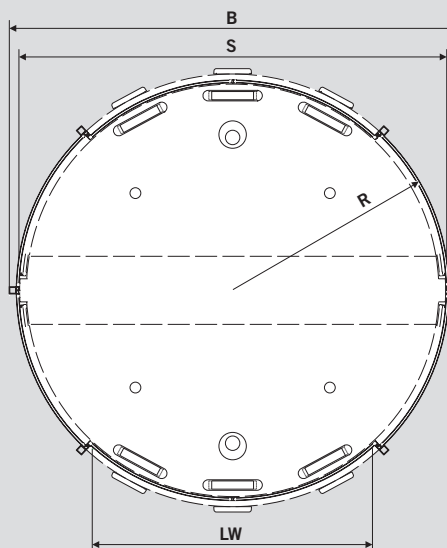
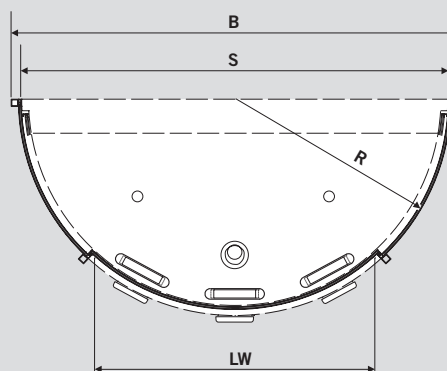
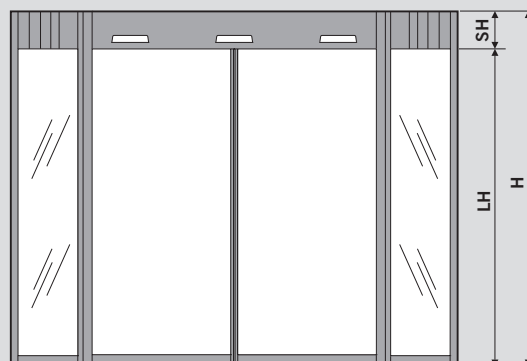
### Half-circle and full-circle configurations

#### Fine-frame profile system G

<b>LH</b>	2200	2500
<b>SH</b>	260	
<b>H</b>	LH + SH	

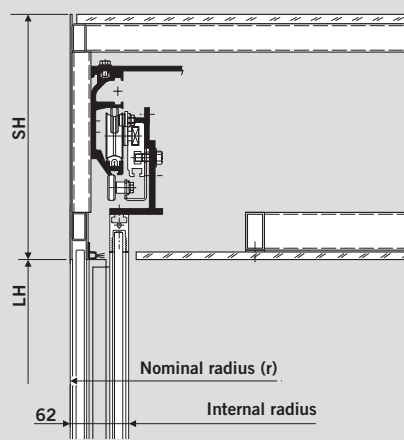
<b>r</b>	1000	1200	1300	1400	1500	1600
<b>S</b>	1960	2360	2560	2760	2960	3160
<b>B</b>	2100	2500	2700	2900	3100	3300
<b>LW</b>	1235	1519	1660	1802	1943	2085

Dimensions in mm

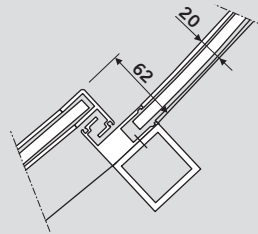


DORMA FBST with approval for application in emergency exits and escape routes according to DIN 18650

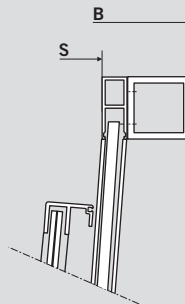
Fine-frame profile system G



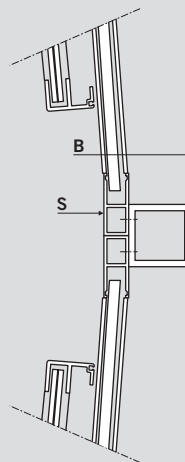
Drum wall and sliding panel with sealing profiles



Panels with centre seals

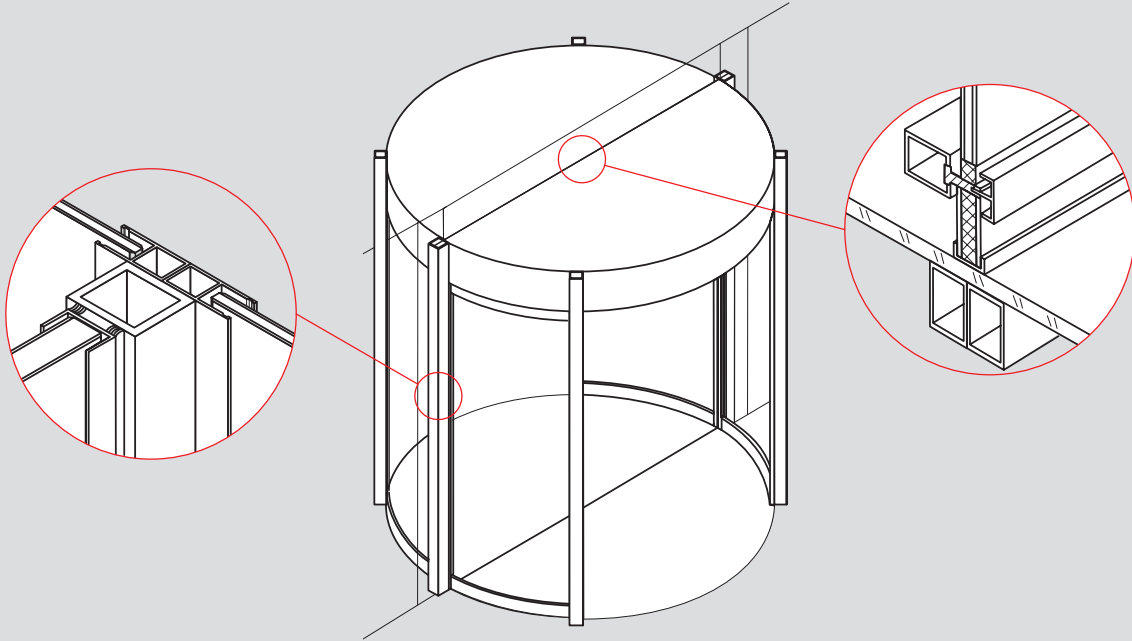


Aluminium girder with connection to half-circle drum wall

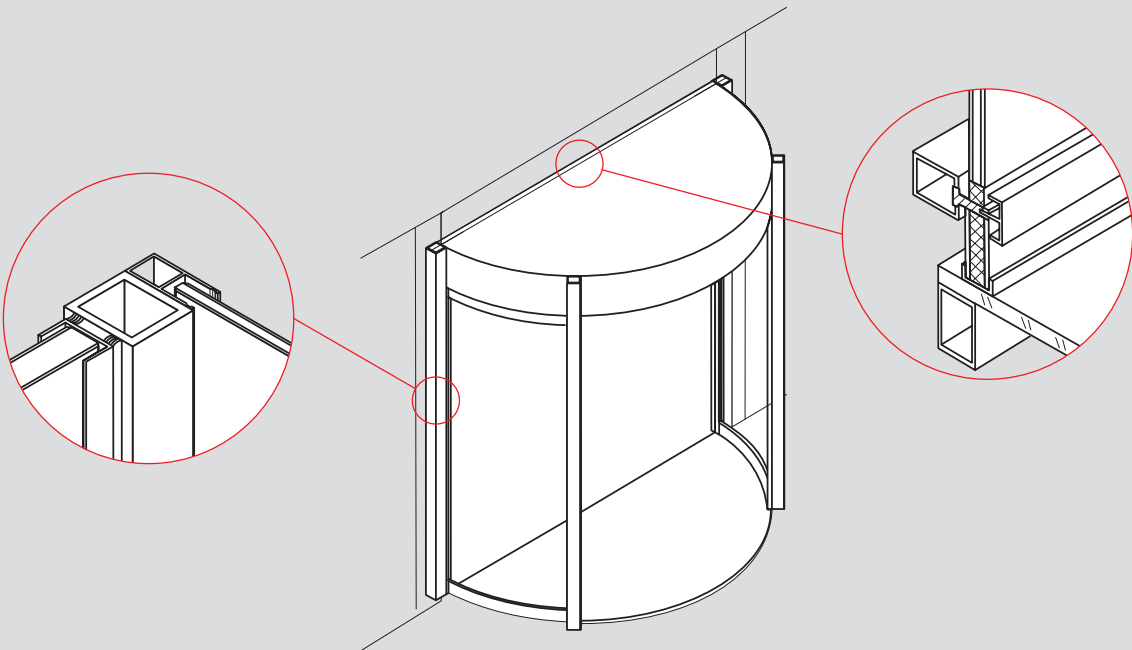


Aluminium girder with connection to full circle drum wall

Façade connection 360°



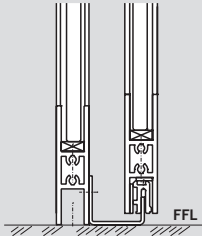
Façade connection 180°



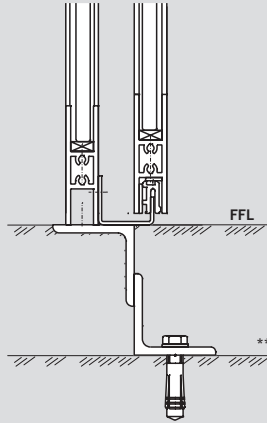


Floor guides

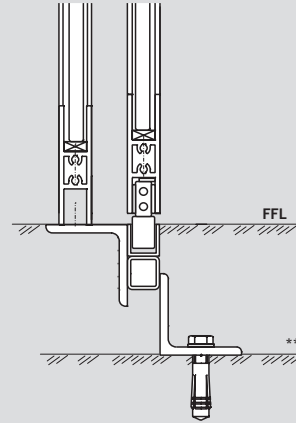
Surface-mounted floor guide without floor ring



Surface-mounted floor guide with floor ring



Flush-mounted floor guide with floor ring



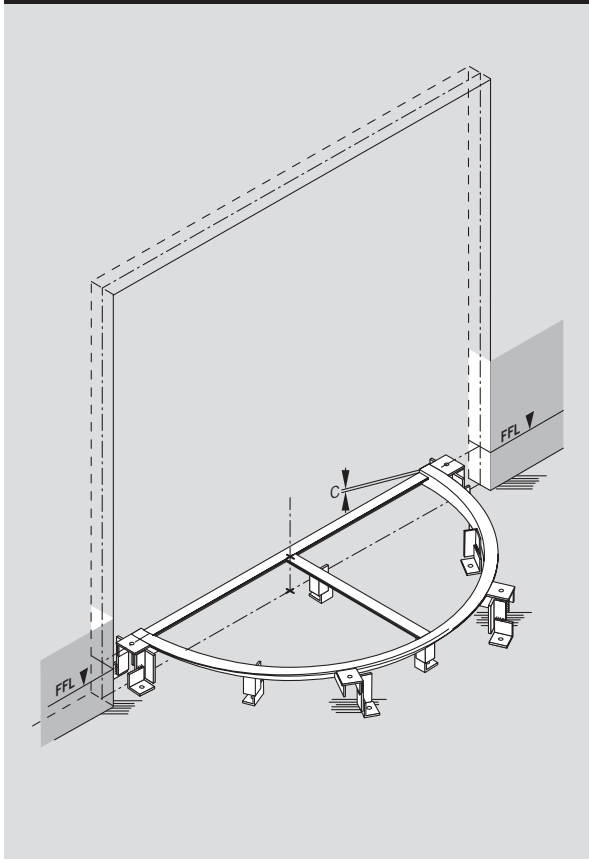
The design of the floor guide depends on the opening width\* and the prevailing on-site conditions and comprises

- surface-mounted floor guides with/without floor ring
- flush-mounted floor guides with floor ring.

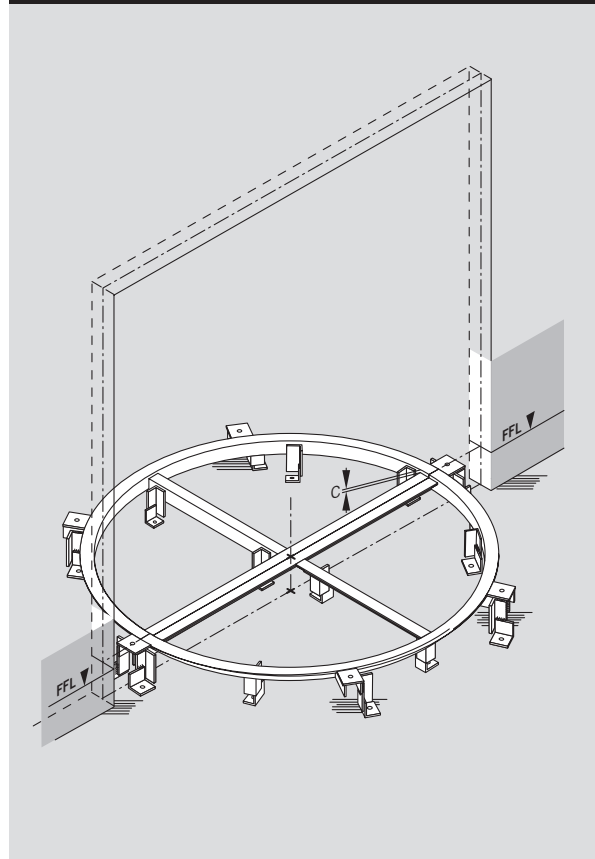
\*Starting from a clear opening width of 1500 mm, a flush-mounted floor guide is required.

\*\*upper edge of unfinished floor

Floor ring with half circle design

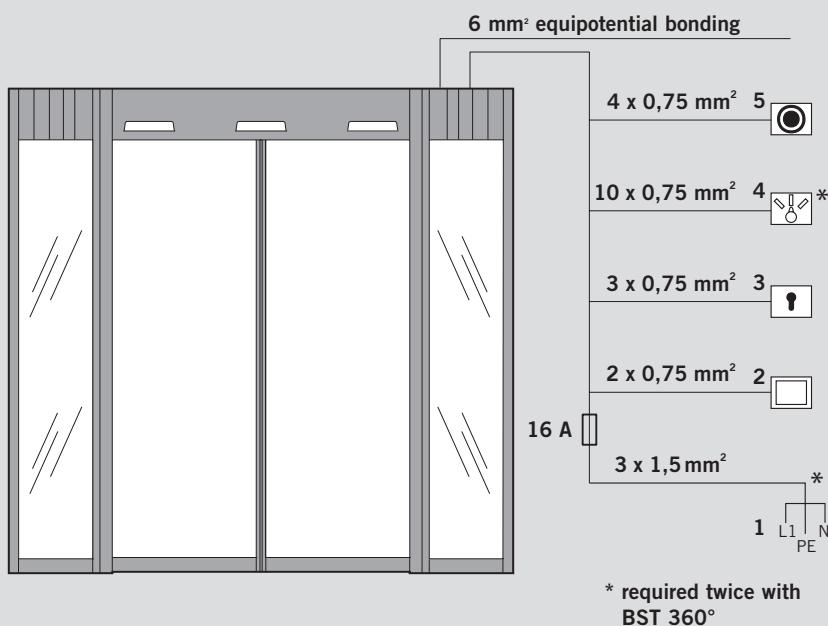


Floor ring with full circle design





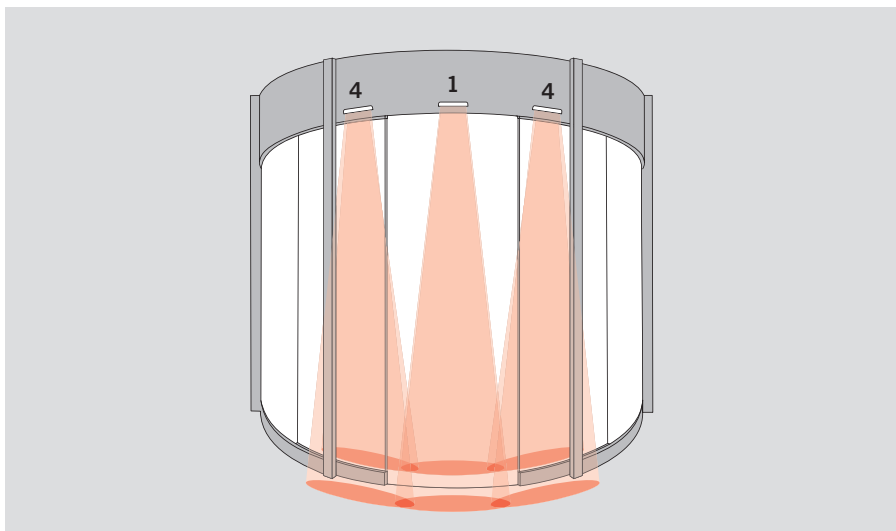
Connection diagram



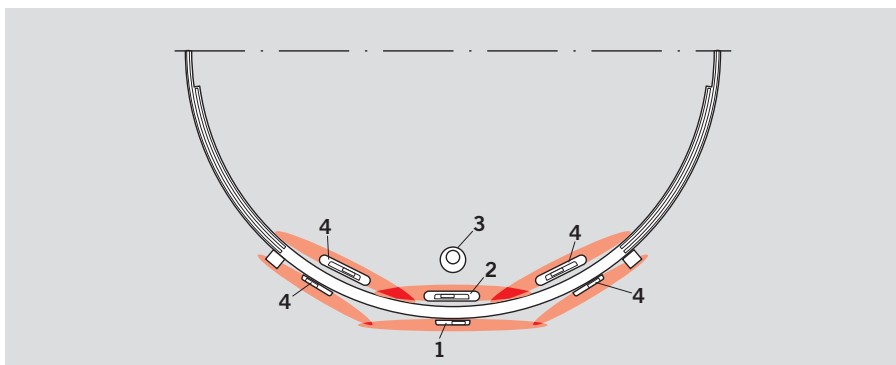
- 1 Feeder
- 2 Internal pushbutton
- 3 Key switch
- 4 Program switch
- 5 Emergency pushbutton (option)

The external Emergency Off pushbutton must be installed close to the door. The maximum cable length amounts to 30 m. The cable can be laid together with the cable for the program switch. The maximum length of the cable connecting the external program switch is 30 m. If the cable is laid with other cables, it must be provided with a shield..

Safety equipment



- 1 External radar motion detector/combined sensor, external (compulsory with DIN 18650)
- 2 Integrated infrared safety sensor to monitor the passage area
- 3 Internal radar motion detector
- 4 Infrared safety sensor (optional, compulsory with DIN 18650)



## Program switch

When combining the system with a program switch out of the DORMA accessory range, the automatic door system even meets individual requirements and offers easy handling.

These program switches are available in various designs have been conceived for all kinds of demands.

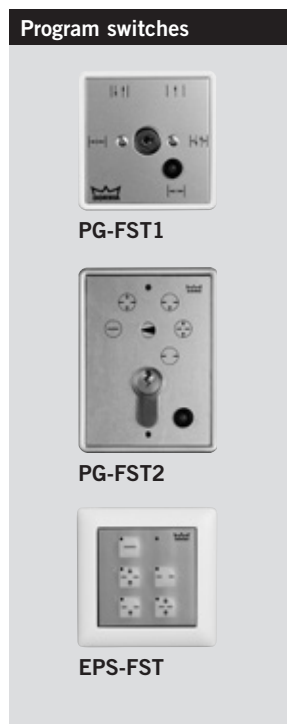
Furthermore they offer various options, from a mechanical to a full-electronic version alternatively also lockable via Euro profile half-cylinder or in a full-electronic way via code.

- Up to 5 different functions: Off, Automatic, Exit Only, Partial Open, Permanent Open
- Electronic program switches in System 55 design to cope with the highest aesthetic demands



### Program switches for sliding door operators

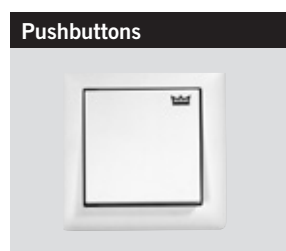
Designation	Specification	Installation system	Order No.
PG-S2	5-position, lockable, aluminium, white, flush-mounting, 80 x 80 x 40 mm	Gira S-Color	19135602150
EPS-S	Full-electronic program switch in System 55 design, 5-position, lockable via code or additional key switch TL-ST S55, membrane keypad, aluminium-coloured, white, flush-mounting, 80 x 80 mm	System 55	16556901150



### Program switches for sliding door operators in emergency exits and escape routes (FST)

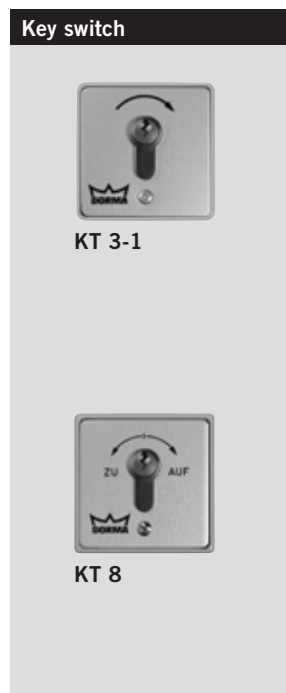
Designation	Specification	Installation system	Order No.
PG-FST1	5-position, lockable, aluminium, white, flush-mounting, 80 x 80 mm	Gira S-Color	19135603150
PG-FST2	5-position, lockable via Euro profile half-cylinder, white, aluminium, flush-mounting, 105 x 80 x 65 mm	Deutsche Solenoid	19142001170
	box for surface-mounting:		19142201170
EPS-FST	Full-electronic program switch in System 55 design, 5-position, lockable via code or additional key switch TL-ST S55, membrane keypad, white, aluminium-coloured, flush-mounting, 80 x 80 mm	System 55	16556801150

## Pushbuttons



### Pushbuttons

Designation	Specification	Installation system	Order No.
Pushbutton	Single-pole changeover contact, standard frame, white, flush-mounting	System 55	19144701170



### Key switch

Designation	Specification	Order No.
KT 3-1	1 NO contact, with Euro profile half-cylinder (can be replaced by any half-cylinder of a master-key system), you can only withdraw the key when it is in zero position, aluminium, metal, 75 x 75 x 60 mm	
KT 3-1	<b>flush-mounting</b>	05054531332
KT 3-1	<b>surface-mounting</b>	05054631332
KT 8	Lettering "Auf, Zu", 2 NO contacts, with Euro profile half-cylinder can be replaced by any half-cylinder of a master-key system), you can only withdraw the key when it is in zero position, aluminium, metal, 75 x 75 x 60 mm	
KT 8	<b>flush-mounting</b>	05054831332
KT 8	<b>surface-mounting</b>	05054931332

## Emergency pushbutton




Designation	Specification	Installation system	Order No.
NAT 1	To interrupt the automatic movement of the door. Emergency pushbutton (Function: Emergency Off) for automatic door operators. Manufactured according to ZH 1/494 (German Guidelines for power-operated windows, doors and gates) and BGR 232 (German Employer's Liability Insurance Association Rule) as well as DIN 18650 (German Industrial Standard). Red knob with yellow centre insert. Maximum load current: max. 10 A at 230 V AC. NO contact: 1, NC contact: 1, white frame, flush-mounting, 80 x 80 mm	System 55	90400025
NAT 2*	Function: "Emergency Open" with green knob, NO contact: 1, NC contact: 1, Maximum load current: 10 A at 230 V AC, white frame, flush-mounting, 80 x 80 mm	System 55	90400035

\*no illustration

## Active infrared safety sensor

Active infrared system to protect the passage area and the secondary closing edges

of sliding doors. To detect the presence of people and objects.




Active infrared safety sensor	Designation	Specification
	IRIS ON	black

## Radar motion detectors

The user-friendliness of automatic doors depends a lot on what kind of activator is used and its construction.

The DORMA sensor range combines the flexibility that is required for the different fields of application with reliability and the highest level of user friendliness.

Furthermore it effectively detects moving people or objects in order to activate (open) automatic doors.

Radar motion detectors	Designation	Specification	Order No.
	<b>Standard motion detectors</b>		
	Eagle 2	Standard, black	16503201170
	<b>Motion detectors with direction recognition</b> Direction recognition for perfectly controlled opening and closing cycles.		
	Eagle 1	Direction recognition, black	16503101170
	<b>Self-monitoring motion detector (FST application – for doors with application in emergency exits and escape routes)</b> Radar motion detector for doors in emergency exits and escape routes with self-monitoring function and electronic systems in redundant design.		
	Eagle 3-N	Self-monitoring, direction recognition, black	16551601170
	<b>Accessories for Eagle detectors</b>		
	System for ceiling installation, white		16502901170
	Rain protection cover, transparent		05090731332

## Combined sensors

To activate (open) and protect automatic sliding doors. This system is designed to substitute light barriers with the aid of an integrated

active infrared function. This combined sensor opens sliding doors via radar and protects the main and secondary closing edges with

the aid of an active infrared system.



Designation	Specification
<b>Activ8 One on</b>	Direction recognition, black
<b>Activ8 Three on</b>	Direction recognition, self-monitoring, suitable for application on FST doors (fire and smoke doors), black



**DORMA GmbH + Co. KG**  
**DORMA Platz 1**  
**D-58256 Ennepetal**  
**Phone +49 2333/793-0**  
**Fax +49 2333/793-495**

**Division Automatic worldwide**

**Region Australasia**

Australia  
DORMA Automatics Pty. Ltd.  
Phone +61 3 8795 0666  
www.dorma.com.au

New Zealand  
DORMA HORIZON NZ LTD  
Phone +64 9 573-1999  
www.dorma.com.nz

**Region Central Europe**

Belgium  
DORMA foquin N.V./S.A.  
Phone +32 50 451570  
www.dorma.be

Germany  
DORMA Automatic  
GmbH + Co. KG  
Phone +49 2333 793-0  
www.dorma.de

Luxembourg  
Luxembourg Subsidiary  
Automatic  
Phone +49 2333 793-216  
www.dorma.de

Netherlands  
DORMA Nederland B.V.  
Phone +31 488 418100  
www.dorma.nl

Switzerland  
DORMA Schweiz AG  
Phone +41 718864646  
www.dorma.ch

**Region Emerging Markets**

Bulgaria  
DORMA-BALKAN EOOD  
Phone +359 2 9714 904  
www.dorma.com

Greece  
DORMA Representation Greece  
Phone: +30 21 09944388  
www.dorma.com

India  
DORMA Door Controls India  
Pvt. Ltd.  
Phone +91 44 28585097  
www.dorma.com

Israel  
DORMA GmbH + Co. KG  
Phone +49 2333 793-0  
www.dorma.com

Poland  
DORMA Polska sp. z o.o.  
Phone +48 22 7365900  
www.dorma.pl

Russia  
DORMA Russia  
Phone +7 495 981-1433  
www.dorma.rus

South Africa  
DORMA Door Controls (Pty.) Ltd  
Phone +27 11 8300280  
www.dorma.com

Turkey  
DORMA Kapi Kontrolleri Ltd.  
Sti Sahraticecid Mah.  
Phone: +90 216 3600056  
www.dorma.com

Ukraine  
DORMA Sales Representative  
Vasyl Stuchilin  
Phone +38 44 5183526  
www.dorma.com

**Region China**

China  
DORMA China Ltd.  
Phone +86512 67612481  
www.dorma.com.sg

Hong Kong  
DORMA Door Controls (Suzhou)  
Co., Ltd.  
Phone +852 25034632  
www.dorma.com.sg

**Region Far East**

Indonesia, Japan, Malaysia,  
Vietnam  
DORMA Emerald Entrance  
Systems Pte Ltd  
Phone +65 459 5733  
www.dorma.com.sg

Philippines  
DORMA Door Controls Pte. Ltd.  
Phone +632 893 4077/8  
www.dorma.com.sg

Singapore  
DORMA Far East Pte. Ltd.  
(Sales)  
Phone +65 64151898  
www.dorma.com.sg

South Korea  
DORMA Emerald Entrance  
Systems Pte Ltd  
Phone +65 459 5733  
www.dorma.com.sg

Taiwan  
DORMA Door Controls Pte. Ltd.  
Phone +886 2 9182987  
www.dorma.com.sg

**Region France**

France  
DORMA Accueil S.A.S.  
Phone +33 4 79348924  
www.dorma.fr

**Region Gulf**

Saudi Arabia  
DORMA Arabia Automatic  
Doors Ltd.  
Kingdom of Saudi Arabia  
Phone +9663 847 2394  
www.dorma.com

United Arab Emirates  
DORMA Gulf Door Controls FZE  
Dubai, United Arab Emirates  
Phone +971 48 839014  
www.dorma.com

**Region North America**

Canada  
DORMA Door Controls  
Phone +1 905 6701281  
www.dorma.com

Mexico  
DORMA México, S. de R.L.  
de C.V.  
Phone +52 55 5272-6937  
www.dorma.com

USA  
DORMA Automatics Inc.  
Phone +1 847 295-2700  
www.dorma-usa.com

**Region Scanbalt**

Denmark  
DORMA Danmark A/S  
Phone +45 44 543000  
www.dorma.dk

Estonia  
DORMA Representation  
Estonia  
Phone +372 6707064  
www.dorma.com

Finland  
DORMA Finland Oy  
Phone +358 9 8789130  
www.dorma.fi

Lithuania  
DORMA Norge AS  
Phone +47 23 176800  
www.dorma.com

Norway  
DORMA Norge AS  
Phone +47 23 176800  
www.dorma.no

Sweden  
DORMA Sverige AB  
Phone +46 31 289520  
www.dorma.se

**Region South America**

Argentina  
DORMA Sistemas de  
Controles para Portas Ltda  
Phone +54 11 45051032  
www.dorma.com

Brazil  
DORMA Sistemas de Controles  
para Portas Ltda.  
Phone +55 11 46899128  
www.dorma.com.br

**Region South-East Europe**

Austria  
DORMA Austria GmbH  
Phone +43 6225 8636-0  
www.dorma.at

Croatia  
DORMA Croatia d.o.o.  
Phone +385 0 1 46 06 944  
www.dorma-croatia.hr

Czech Republic  
DORMA dverni technika CR,  
s.r.o.  
Phone +420 2 671321-78  
www.dorma.com

Hungary  
DORMA AKS Automatic GmbH  
Phone +36 1 2065127  
www.dorma.com

Romania  
DORMA Romania S.R.L.  
Phone +40 31 806 916 0  
www.dorma.com

Slovakia  
DORMA Slovensko spol. s.r.o.  
Phone +421 2 50221-283  
www.dorma.com

Slovenia  
DORMA Representation  
Slovenia ICL d.o.o.  
Phone +386 2 5302010  
www.dorma.com

**Region South Europe**

Italy  
DORMA Italiana S.r.l.  
Phone: +39 039 244031  
www.dorma.it

Portugal  
DORMA Portugal  
para Portas, Lda.  
Phone +351 252 860490  
www.dorma.com

Spain  
DORMA Ibérica, S.A.  
Phone +34 91 8757850  
www.dorma.es

**Region UK/Ireland**

Ireland  
DORMA Ireland Limited  
Phone +353 1 295-8280  
www.dorma.ie

Great Britain  
DORMA UK Limited  
Phone +44 1462 477600  
www.dorma-uk.co.uk



**Door Control**



**Automatic**



**Glass fittings  
and Accessories**



**Security Time  
and Access (STA)**



**Movable Walls**