A photograph of two long, silver-colored metal door system components, likely door runners or covers, arranged diagonally. One is positioned above the other, showing their profile and a small circular detail on the upper one. The background is a light gray gradient.

ED 100, ED 200  
DOUBLE LEAF DOOR SYSTEMS  
VARIO COVER

---

Mounting instructions

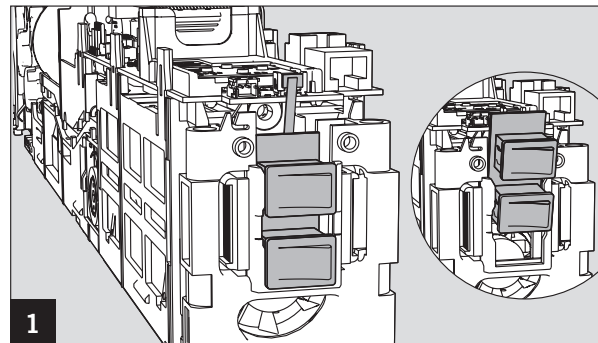
# ED 100, ED 250

## Double leaf door systems VARIO Cover

The following steps have to be performed in addition to the information mentioned in the mounting instructions:

Remove the PCB with the internal program switches from both operators.

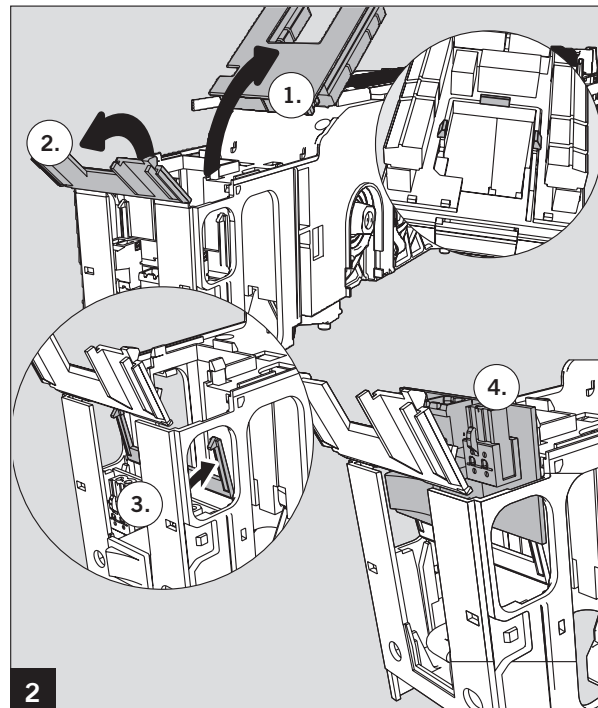
First remove the connection cable, then move the PCB upwards and pull it out.



Remove the mains switch from the operator that is not installed at the side where the power supply is connected.

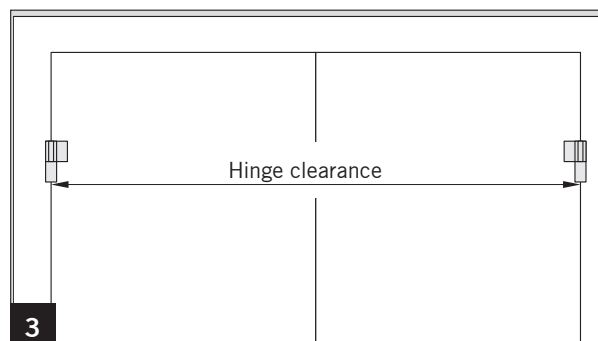
1. Push the 3 brackets inwards in order to remove the connection unit.
2. - 3. Open the two covers above the mains supply PCB and remove the connectors.
4. Pull out the mains supply PCB.

Close both covers and reconnect the connection unit.

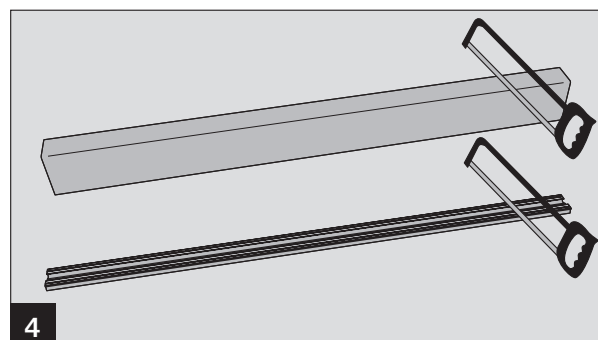


To determine the required length for the intermediate base plate and the intermediate cover:

1. Measure the horizontal clearance between the left and the right hinge (hinge clearance).
2. Calculate the required length for the intermediate base plate:  $L = \text{hinge clearance} - 1,397 \text{ mm}$
3. Calculate the required length for the intermediate cover:  $L = \text{hinge clearance} - 1,442 \text{ mm}$



Cut the intermediate base plate and the intermediate cover to the calculated length.



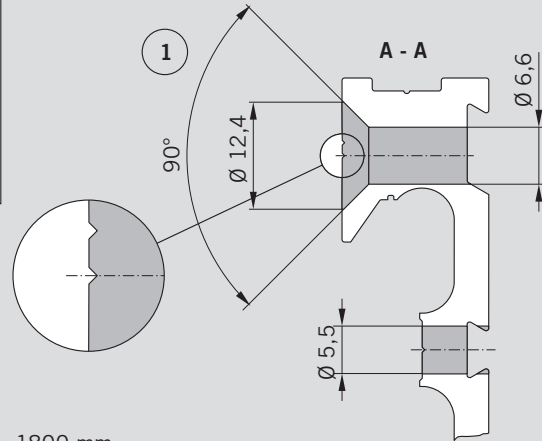
# ED 100, ED 250

## Double leaf door systems VARIO Cover

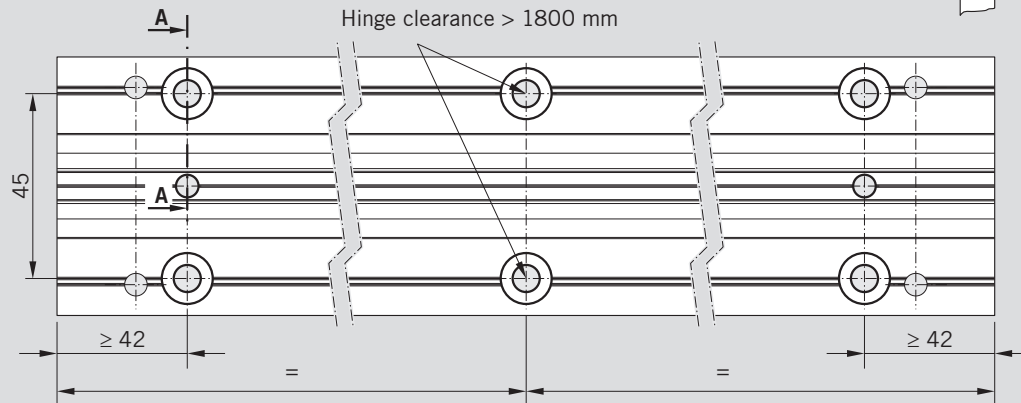
Drill holes into the interim plate as indicated in the drawing. The drill holes in the middle are only required if the hinge clearance exceeds 1,800 mm.

The holes ① are drilled into the inner notch.

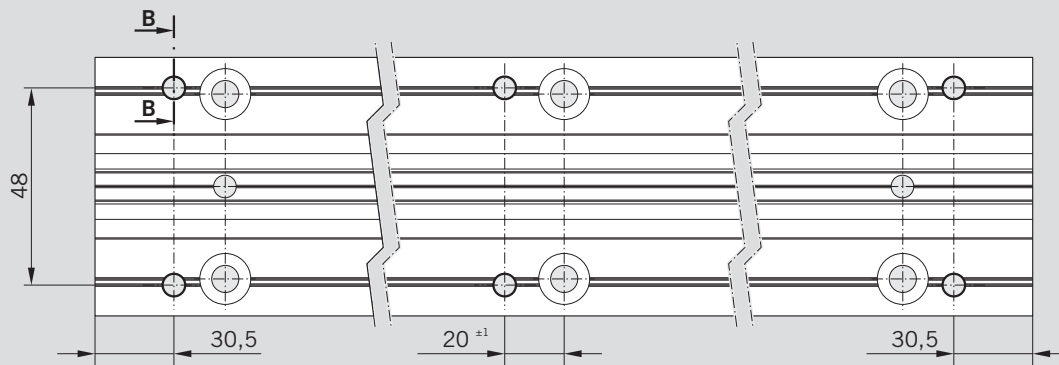
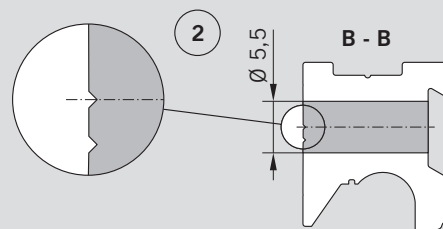
The holes ② are drilled into the outer notch.



### Drill holes for wall installation



### Drill holes for bracket fixing

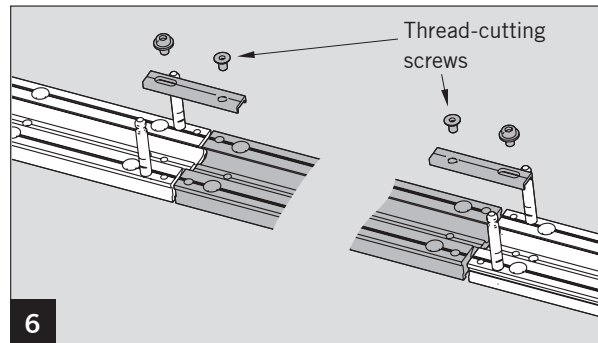


# ED 100, ED 250

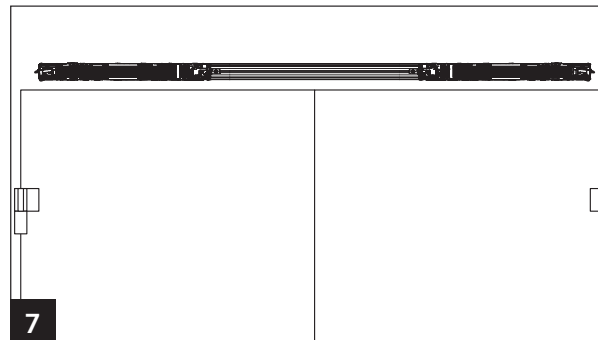
## Double leaf door systems VARIO Cover

Assemble and align the mounting plates and the intermediate plate on a level surface.

The two connectors are fixed at the mounting plates with cheese-head screws and at the intermediate base plate with thread-cutting screws.

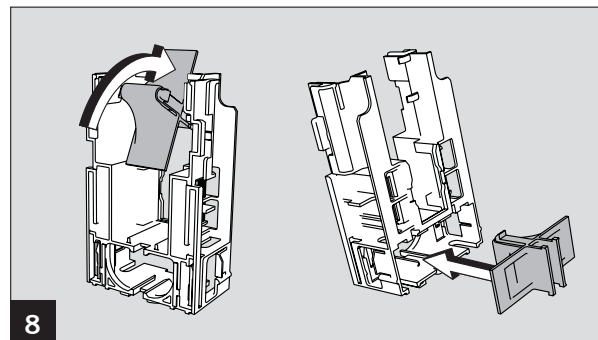


Please refer to pages 37 to 39 of mounting instructions for ED 100/250 057698-45532 for mounting of operators and mounting plates.

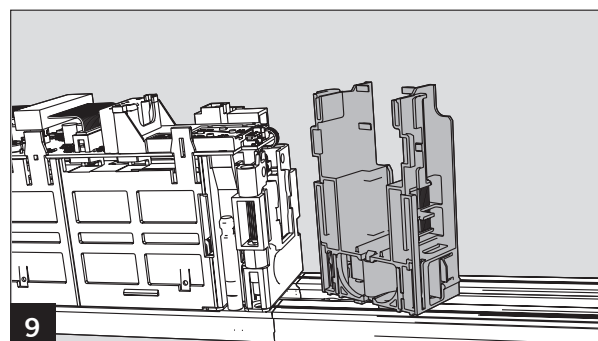


### Preparation of brackets

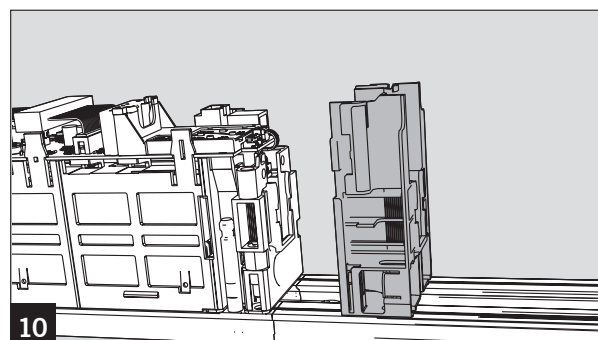
Break out the plastic parts located in the middle of both brackets by turning them upwards, then use as air deflector at the bottom of the bracket.



Turn the brackets by 45°, attach them to the mounting plate and then realign to 0°.



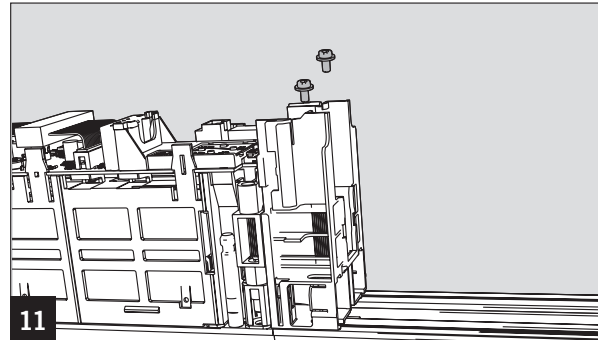
Move the brackets along so that they meet the respective operator.



# ED 100, ED 250

## Double leaf door systems VARIO Cover

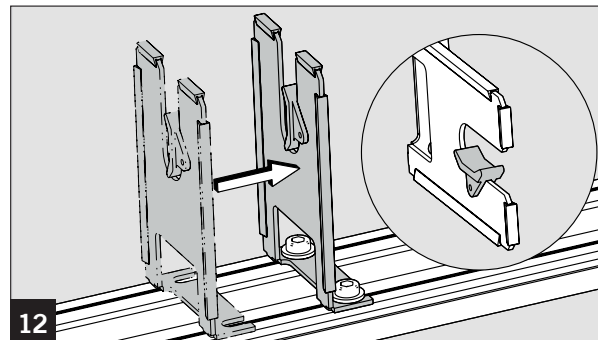
Fix each bracket with two thread-cutting screws respectively.



Slightly screw in the two thread-cutting screws for the bracket in the middle (a few turns will suffice).

Then move the bracket under the screw heads and screw down tight.

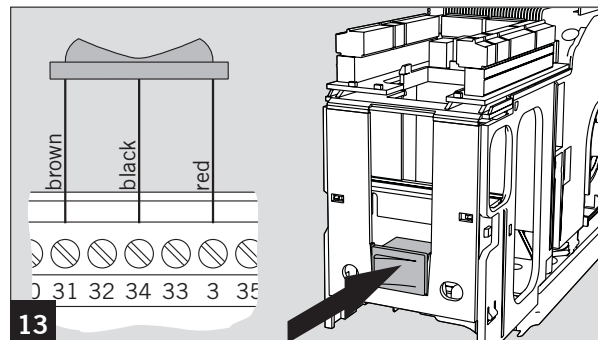
Install the bracket so that the plastic guide is located at the bottom.



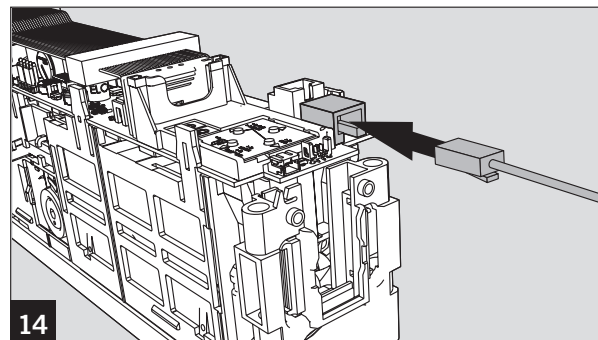
Insert (clip) the new program switch into the provided slot where you have removed the mains switch.

Connect the program switch to the passive-leaf operator. It is connected at the connection unit. Use the terminals for the external program switch.

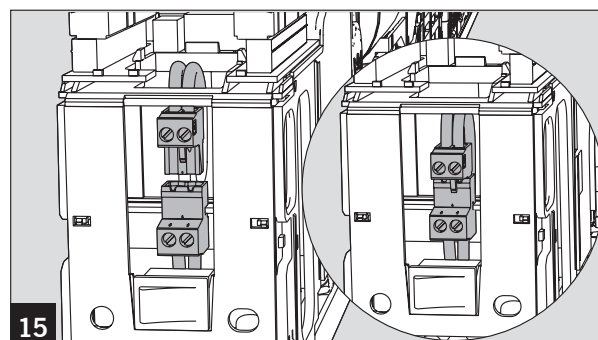
If the program switch is installed on the passive-leaf operator, the connection cable has to be cut to length (shortened). In this case fix ring connectors at the ends of the cables.



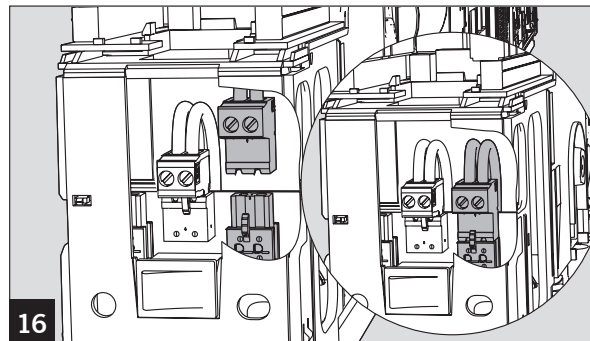
Connect the enclosed linking cable to the two "horizontal" connectors on the control unit.



Connect the mains cable of the second operator.  
1. At the active leaf.



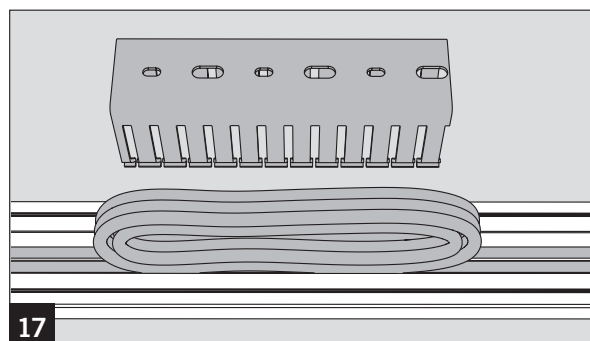
2. At the passive leaf.



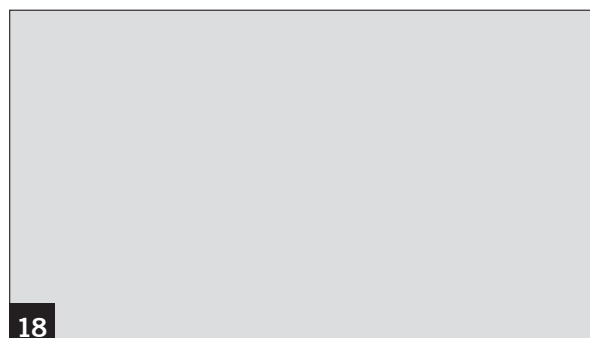
### Commissioning of a double-leaf system

1. Put the active leaf into operation. (See „Commissioning instructions“ starting on page 18.)
2. Following the learning cycle, adjust the program switch to PERMANENT OPEN.
3. Put the passive leaf into operation. (See “commissioning instructions” starting on page 18.)
4. Additional parameterisation:
  - At active leaf:  
Adjust parameter >dL< (Door type) to “1”.  
Adjust parameter >Ad< (Castor angle) to the desired value.
  - At passive leaf:  
Adjust parameter >dL< to “2”.

Wind up the cables between the operators and fix with them with cable channels.



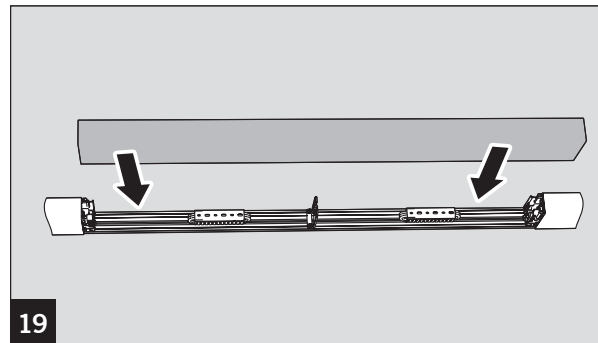
Fix both operator covers and the DORMA labels (crowns).



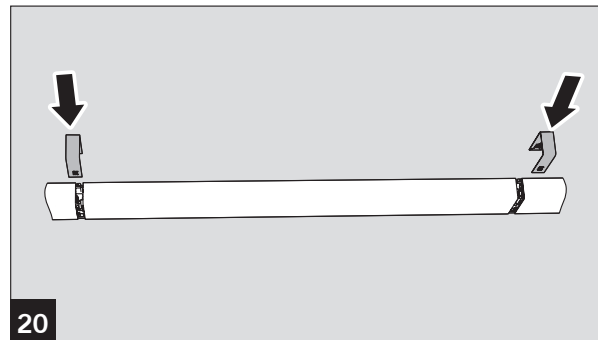
# ED 100, ED 250

## Double leaf door systems VARIO Cover

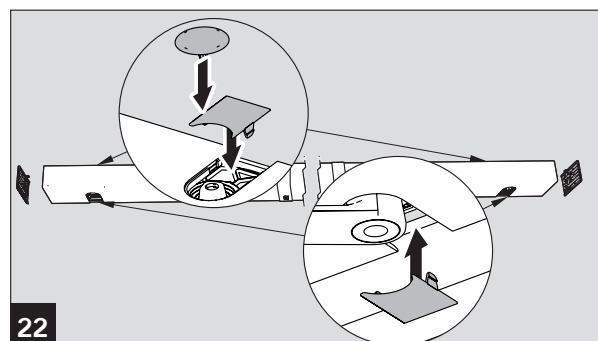
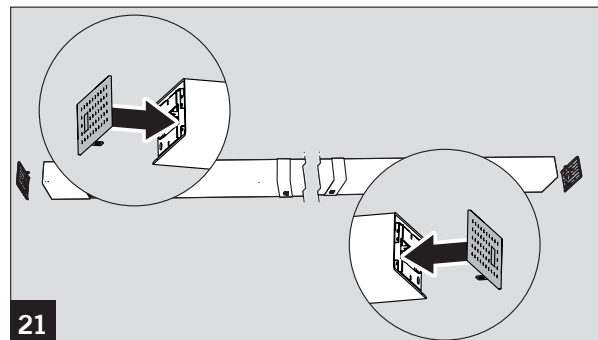
Fix the middle cover on the brackets.



Attach the small covers to hide the cutting edges.



Fix the perforated lateral covers.





DORMA GmbH+Co. KG  
DORMA Platz 1  
58256 ENNEPETAL  
GERMANY  
Tel. +49 2333 793-0  
Fax +49 2333 793-4950  
[www.dorma.com](http://www.dorma.com)