

A technical line drawing of a window system with four panes. The second pane from the left is tilted outwards. The drawing shows the frame, hinges, and a handle on the third pane. A semi-transparent white box is overlaid on the drawing, containing the text "HSW FLEX THERM" and a horizontal line.

# HSW FLEX THERM

---

Operating manual

## Content

<b>1 About this operating manual .....</b>	<b>3</b>
1.1 Information about this operating manual.....	3
1.2 Copyright.....	3
<b>2 Safety .....</b>	<b>3</b>
2.1 Intended use.....	3
2.2 Dangers during the operation.....	3
2.3 Personnel qualification.....	3
<b>3 Special aspects during the operation.....</b>	<b>3</b>
3.1 Single action sliding panel.....	3
3.2 Parking panels in the stacking area .....	3
3.3 Moving the panel out of the stacking area .....	3
<b>4 Overview HSW FLEX Therm .....</b>	<b>4</b>
<b>5 Operation .....</b>	<b>5</b>
5.1 Moving the panels .....	5
5.2 Locking principle.....	5
5.3 Opening the system .....	5
5.4 Closing the system.....	6
<b>6 Closing functions of the door panel .....</b>	<b>6</b>
6.1 840 series .....	6
6.2 830 series .....	7
<b>7 Maintenance .....</b>	<b>8</b>
<b>8 Troubleshooting .....</b>	<b>9</b>

## 1 About this operating manual

### 1.1 Information about this operating manual

This operating manual allows you to safely operate the horizontal HSW FLEX Therm sliding wall. The operating manual is part of the HSW FLEX Therm and must be kept accessible at all times. In case of a loss, you can download the current version of the operating manual at [www.dormakaba.com](http://www.dormakaba.com).

The personnel must have carefully read and understood the operating manual prior to the operation of the HSW FLEX Therm. The safe operation requires that all safety instructions and directions given in this operating manual are followed. In addition, the local occupational health and safety regulations apply for the application of the HSW FLEX Therm.

### 1.2 Copyright

The contents of this operating manual are protected by copyright. Its use is permitted for the HSW FLEX Therm. Any use beyond this requires the written consent of dormakaba Deutschland GmbH.

## 2 Safety

### 2.1 Intended use

The horizontal sliding wall HSW FLEX Therm is used exclusively as a separating sliding panel for indoors and outdoors.

### 2.2 Dangers during the operation



#### CAUTION!

Crushing hazard during movement of the doors and panels!

- Exercise caution.



#### NOTE!

Breakage of glass and damage of the doors and panels!

- Always move the panels slowly and individually.
- Always move the panels slowly and individually into the stacking area.
- Do not let the panels collide with each other inside and outside the stacking area.

### 2.3 Personnel qualification

#### Operating personnel

The operating personnel has been instructed in the operation and is able to use the HSW FLEX Therm as intended.

#### Maintenance personnel

Due to its professional training, knowledge and experience, the maintenance personnel is able to carry out maintenance work on the HSW FLEX Therm and independently identify and prevent possible hazards.

## 3 Special aspects during the operation

### 3.1 Single action sliding panel

Pay attention to the special operating instructions for the single action sliding panels. The door lock bar for switching into the sliding mode or door mode may be operated only when the system front is closed. Make sure to follow the operation sequence.

### 3.2 Parking panels in the stacking area

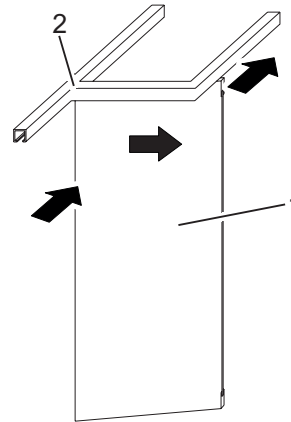


Fig. 1: Moving the panels into the stacking area (example).

#### Requirement:

- The panel to be parked is unlocked.
- ☞ Always move the panels individually as the panels might be damaged by a collision.
1. Slowly move the unlocked panel (Fig. 1/1) to the branch point (Fig. 1/2).
  2. Slightly carry the panel along when it moves into the branch.
    - ▶ The panel is moved into the stacking area via the rollers.
  3. Move the panel into the stacking area until you feel a resistance and the panel is jammed.
    - ▶ The panel is now parked.

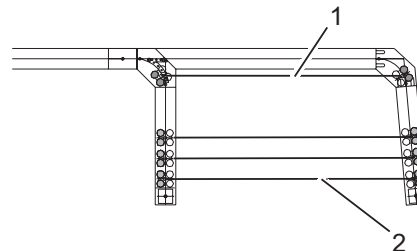


Fig. 2: Parking the panel in the stacking area (example)

4. Move more panels (Fig. 2/1) into the stacking area. Ensure a safe distance to the already parked panels (Fig. 2/2).
  - ☞ The panels may not come into contact with each other.

### 3.3 Moving the panel out of the stacking area

- ☞ Always move the panels individually.
1. Move the panel slowly to the branch point.
  2. Always move the roller, which runs straight at the branch, first out of the stacking area.
  3. Move the panel with the second roller into the branch. Slightly carry the panel along when it moves out of the branch.
  4. Move the panel into the end position.
  5. Lock the panel (Chapter „5.4 Closing the system“, p. 6).
    - ▶ The panel is now moved out of the stacking area.

## 4 Overview HSW FLEX Therm

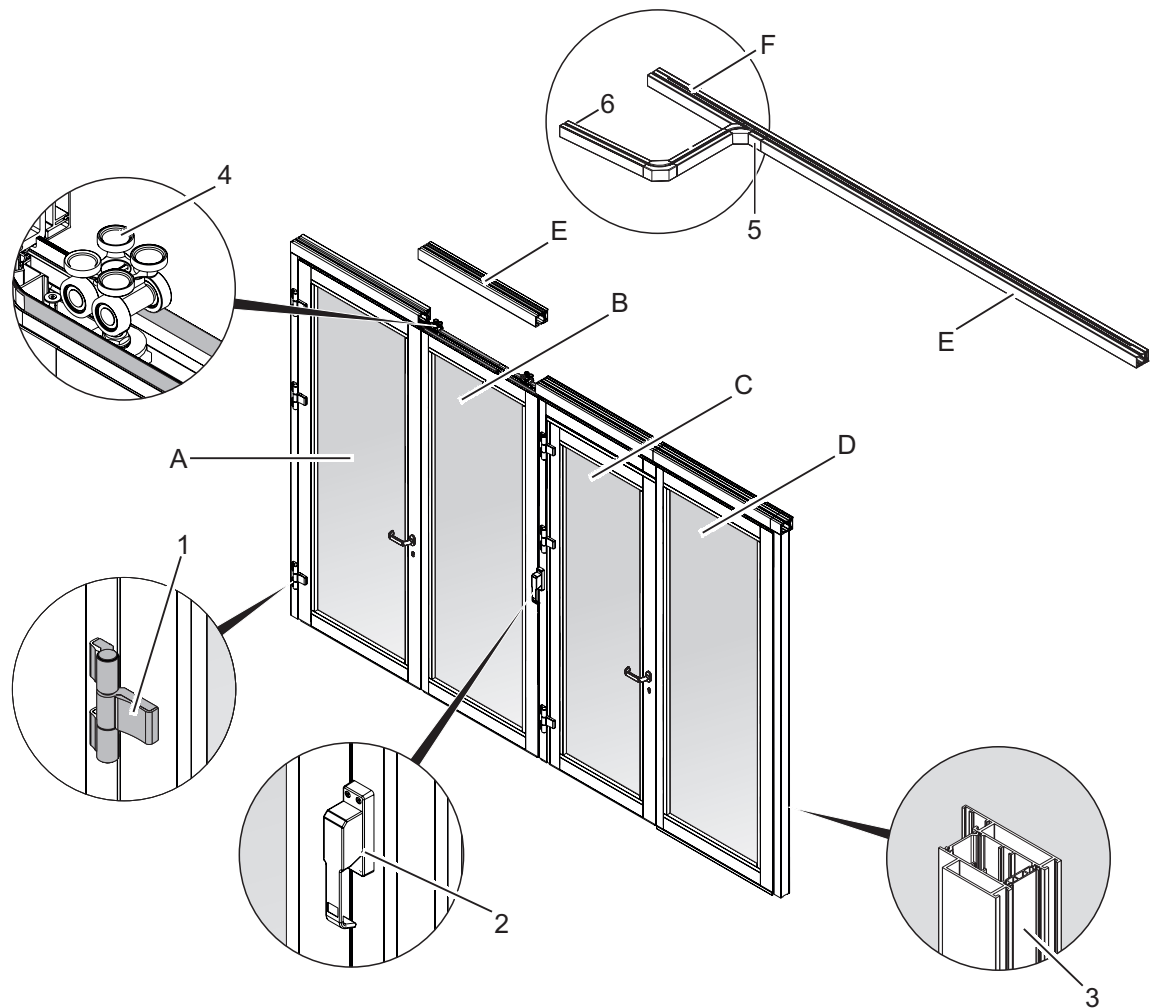


Fig. 3: Overview HSW FLEX Therm (example)

The HSW FLEX Therm is a horizontal sliding wall, which basically consists of the following main components:

- A Pivoting end panel
- B Sliding panel
- C Single action sliding panel
- D Fixed panel
- E Track
- F Customized stacking area

Other HSW FLEX Therm components:

- 1 Door hinges
- 2 Door lock bar
- 3 Wall mounting profile
- 4 Roller
- 5 Revision piece
- 6 Name plate

## 5 Operation

The following operating sequence is based on the exemplary system in chapter 4 (Fig. 3).

### 5.1 Moving the panels



#### CAUTION!

Crushing hazard during movement of the panels!  
– Exercise caution when moving the panels.

#### Requirement:

- The panel to be moved must be unlocked.

### 5.2 Locking principle

All locking types for the HSW FLEX Therm work according to the same principle:

- Deadbolt up = unlocked (panel can be moved)
- Deadbolt down = locked (panel fixed, cannot be moved)

### 5.3 Opening the system

#### Requirement:

- The system is now completely closed.
- All panels are now locked.

#### 5.3.1 Unlocking the single action sliding panels

- ☞ Check whether the HSW FLEX Therm system features one or several single action sliding panels. Each single action sliding panel must be in the sliding mode before the first panel is opened. For this purpose, it features a door lock bar that is used to switch between door mode and sliding mode.

#### Requirement:

- The panel is in door mode.

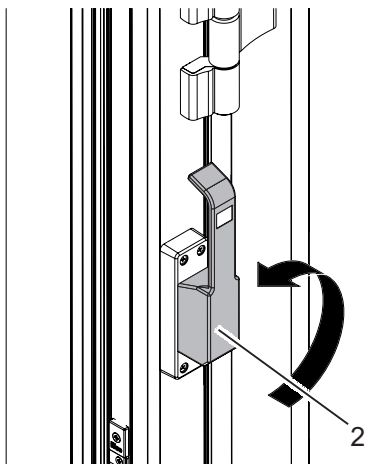


Fig. 4: Door lock bar up = sliding mode

1. Check the position of the door lock bar.
2. If necessary, move the door lock bar (Fig. 4) by 180° upward into the sliding mode.

- ☞ The door lock bar must always be brought into the upper (or lower) position.
  - ▶ The single action sliding panel is now in the sliding mode. The panel is moved as soon as the single action sliding panel is accessible.
- ☞ The panel is attached to the roller.

#### 5.3.2 Unlocking the pivoting end panel panel

1. Unlock and open the pivoting end panel panel.

#### 5.3.3 Unlocking sliding panel

#### Requirement:

- The panel is locked and located at the front.

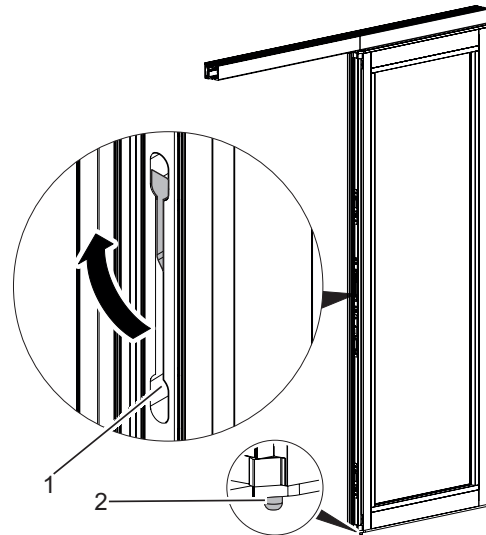


Fig. 5: Operating the flush bolt

- ☞ Panels bordering pivoting end panels or single action sliding panels are locked via a locking device in the door panel (flush bolt Fig. 5/1).

1. Move the flush bolt on the side of the sliding panel upward (Fig. 5/1).
  - ▶ The locking bolt (Fig. 5/2) will be pulled upward.
  - ▶ The panel is unlocked and can be moved.
2. Moving the slide panel into the stacking area.

#### 5.3.4 Unlocking the end-mounted slide bolt

- ☞ Other panels that, for example, border at fixed panels will be locked via an end-mounted slide bolt. The end-mounted slide bolt is located at the lower end of the panel.

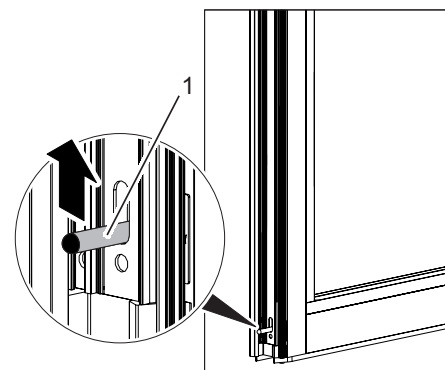


Fig. 6: Operating the end-mounted slide bolt

#### Requirement:

- The panel is locked and located at the front.

1. Push the end-mounted slide bolt (Fig. 6/1) upward using the tip of your foot or the hand.
  - ▶ The panel is now unlocked and can be moved.

## 5.4 Closing the system

### Requirement:

- The system is completely open.
- All panels are in the stacking area.

### 5.4.1 Closing the single action sliding panel

☞ The door lock bar on the single action sliding panel may be operated only if the system is completely closed and all panels are in their end position.

1. Bring the single action sliding panel into the end position "closed".
  - ☞ Leave the panel in the sliding mode.
  - ☞ The door lock bar cannot yet be operated. The system must first be completely closed.

### 5.4.2 Locking the sliding panel

#### Requirement:

- The panel is unlocked and in the stacking area.

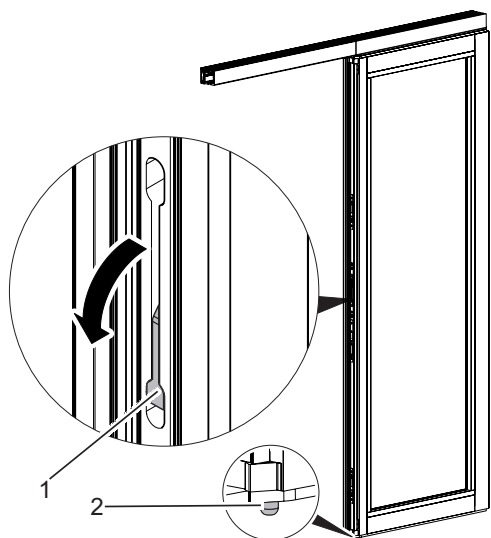


Fig. 7: Operating the door lock bar

1. Bring the sliding panels into the end position "closed".
2. Move the flush bolt on the side of the sliding panel downward (Fig. 7/1).
  - ▶ The locking bolt (Fig. 7/2) will be pressed down into the eccentric bushing.
  - ▶ The panel is locked and can no longer be moved.

### 5.4.3 Operating the end-mounted slide bolt

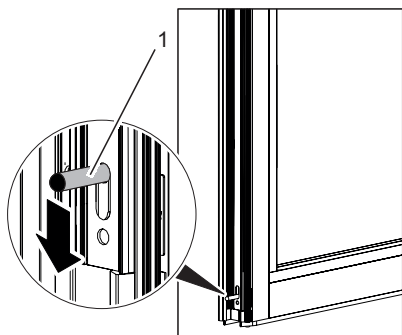


Fig. 8: Operating the end-mounted slide bolt

#### Requirement:

- The panel is unlocked and in the stacking area.
1. Push the end-mounted slide bolt (Fig. 8/1) down using the tip of your foot or the hand.
    - ▶ The panel is locked and can no longer be moved.

### 5.4.4 Closing the pivoting end panel panel

1. Close the pivoting end panel panel.
2. Close the panel with the lock.
  - ☞ In case of a self-locking lock (Chapter „6 Closing functions of the door panel“, p. 6), the panel must not be closed manually. In this case the lock locks itself.

### 5.4.5 Locking the single action sliding panel

#### Requirement:

- All other panels are in the end position "closed" and already locked.

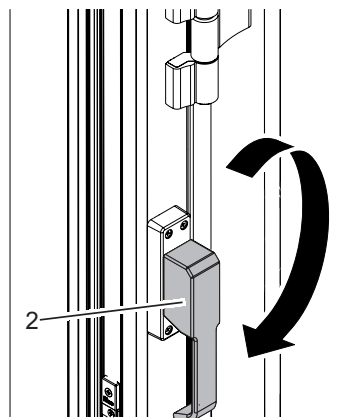


Fig. 9: Door lock bar down = door function

1. Move the door lock bar (Fig. 9) by 180° down to the door mode.
  - ☞ The door lock bar must always be brought into the lower (or upper) position.
  - ▶ The single action sliding panel is now again in door mode and the door of the single action sliding panel can be opened.

## 6 Closing functions of the door panel

The closing function of the single action sliding panel can be operated via two different locks.

### 6.1 840 series

The Multiblindo Classic is a lock with a normal lock function via a cylinder.

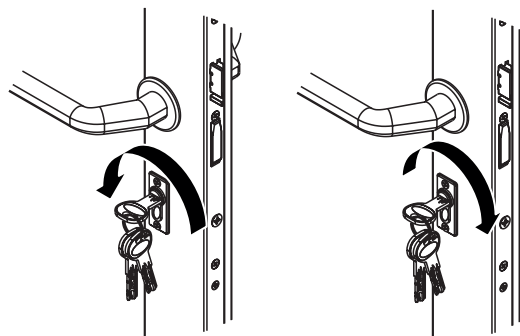


Fig. 10: Unlocking and locking the single action sliding panel

## 6.2 830 series

The Multiblindo Easy is a lock featuring a sequence control that locks mechanically-automatically.

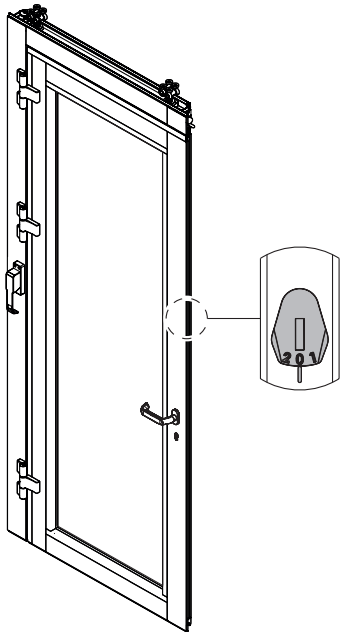


Fig. 11: Switch position on the single action sliding panel

As required, you can make one of the three settings by using the switch on the lock forend (Fig. 11).

### 6.2.1 Settings

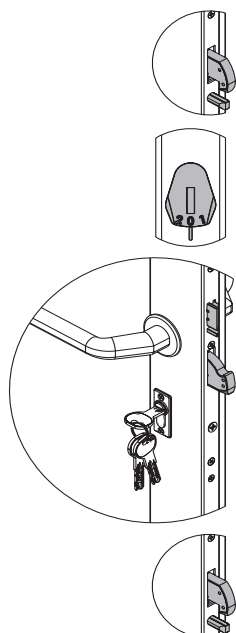


Fig. 12: Switch position "0"

If the switch is in the "0" position (Fig. 12), the lock will lock mechanically-automatically as soon as the door closes. Latch and deadbolt close the door. The door is always to be closed from the inside (Comfort Function). From the outside, a key is required to open the door.

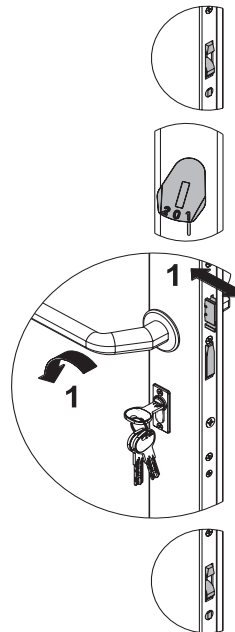


Fig. 13: Switch position "1"

If the switch is in the "1" position (Fig. 13), the lock will lock only with the latch. The deadbolt do not move out.

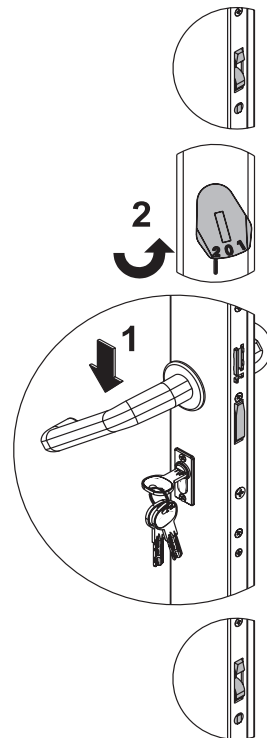


Fig. 14: Switch position "2"

If the switch is in the "2" position, the lock does not have a lock function. Latch and deadbolt do not move out (daytime latch via push handles).

1. Operat the door handle.
2. Turn the switch into the "2" position.
3. Release the door handle again.
  - ▶ The lock has now no lock function.

## 7 Maintenance

Interval	Activity	Personnel
If necessary	Clean glass surfaces using a glass cleaner.	Operating personnel
	Clean metal parts of the HSW FLEX Therm.	Operating personnel
	<ul style="list-style-type: none"> <li>☞ Painted metal parts of the HSW FLEX Therm can be cleaned with glass cleaner together with the glass panels.</li> </ul>	
	<p>Keep the deviation piece for the rollers of the rollers in the tracks free of grease and clean using acetone.</p> <ul style="list-style-type: none"> <li>☞ Do not clean painted metal parts of the panels or tracks with acetone as the paint will be damaged by the acetone.</li> <li>☞ Deviation pieces and rollers are made from pastic polyoxymethylene (POM) and are resistant against acetone.</li> </ul>	Operating personnel
	Keep the bushings that accept the locking bolts clean.	Operating personnel
Annually	Check door hinges and door handles.	Maintenance personnel
	Check locks and locking devices for free movement.	Maintenance personnel
	Check brush seals and, if necessary, replace them.	Maintenance personnel
	<p>Grease mushroom head with multi-purpose grease.</p> <ul style="list-style-type: none"> <li>☞ Only the mushroom head (Fig. 9/1) on the single action sliding panel must be greased.</li> <li>☞ Also grease the inclined bottom side of the mushroom head.</li> </ul>	Maintenance personnel

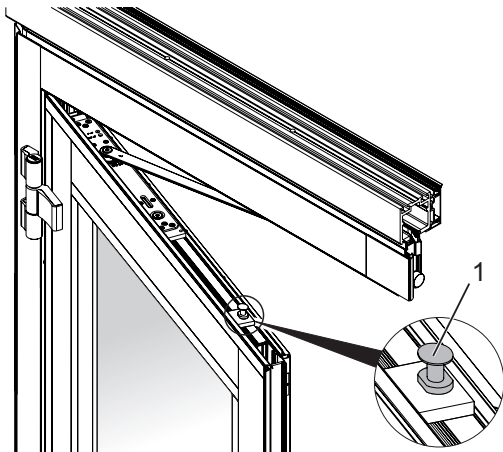


Fig. 15: Position of the mushroom head



## 8 Troubleshooting

☞ Troubleshooting activities may be carried out only by trained maintenance personnel. Our customer service will be available ([www.dormakaba.com](http://www.dormakaba.com)).

Fault description	Cause	Remedy
The panels stick in the tracks.	The height adjustment of the panels is not correct.	Check the height adjustment of the panel (see mounting instructions).
	The tracks are dirty.	Clean the tracks.
	The rollers are dirty or damaged.	Clean or replace the rollers.
The panels cannot be correctly parked.	The adjustment of the roller is not correct.	Correctly adjust the roller (see mounting instructions).
The door of the single action sliding panel or the pivoting end panel cannot be properly closed.	The door lock is not properly set.	Check the door lock setting (see mounting instructions).
The door lock bar cannot be completely operated.	The locking adjustment for the door lock bar is not properly adjusted.	Check the door lock setting for the door lock bar (see mounting instructions).







dormakaba Deutschland GmbH  
DORMA Platz 1  
58256 ENNEPETAL  
DEUTSCHLAND  
Tel. +49 2333 793-0  
Fax +49 2333 793-4950  
[www.dormakaba.com](http://www.dormakaba.com)

DORMA-Glas GmbH  
Max-Planck-Straße 33-45  
32107 BAD SALZUFLEN  
DEUTSCHLAND  
Tel. +49 2333 793-0  
Fax +49 2333 793-4950  
[www.dormakaba.com](http://www.dormakaba.com)