

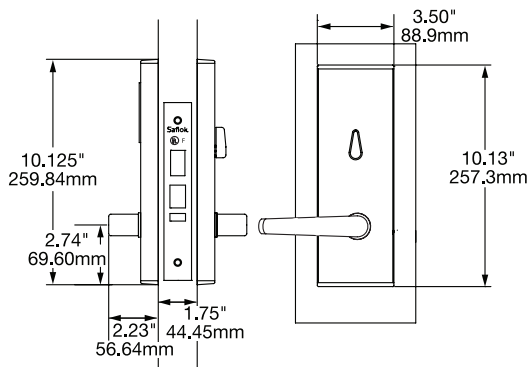
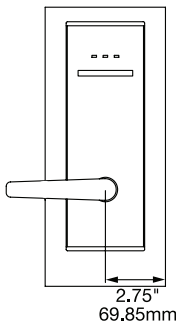
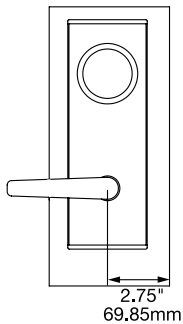
Saflok MT™ Series



Saflok MT™ RFID



Saflok MT™



Overview

The Saflok MT Series is a full-body electronic lock that offers either magstripe or RFID card reader technology to enhance guest convenience and improve operational efficiency. Ideal for retrofits, these locks work with the Windows-based System 6000™, Messenger LENS™ online wireless system and DeskLine™ front desk system.

The MT RFID is able to operate using the Kaba Mobile Key System and can be offered with the following options: Bluetooth Low Energy (BLE) compatible, ready or enabled.

Applications

- Suitable for small to very large scale hotels
- Easily replaces existing mechanical or electronic door locks throughout a facility
- Access control for guest rooms, common areas as well as back-of-house


Security Features

- High security and tamper-proof design
- 1" solid deadbolt (optional auto deadbolt)
- Staff monitoring - Keycard audits (RFID and smartcard)

Low Maintenance

- Batteries last up to 2 years
- Low battery indicator alerts staff
- Lock programming and audit records are not erased during battery replacement
- Operates with a completely sealed contactless reader (RFID only)

Mechanical Features

<i>Description</i>	Electronic mortise lockset with 1" (25.4mm) throw deadbolt and 5/8" (15.9mm) dead-locking latch bolt	
<i>Handing</i>	Factory-handed mortise (left, right, left reverse, right reverse)	
<i>Lever</i>	ADA Compliant 	
<i>Deadbolt</i>	1" (25.4mm) throw deadbolt and 5/8" (15.9mm) dead-locking latch bolt	
<i>Door Thickness</i>	1 3/4" (44.5mm) to 2 1/8" (53.98mm) for standard product	
<i>Weight</i>	Approx. 8.0 lbs with hardware	
<i>Housing Construction</i>	Escutcheons: Zinc Levers: Brass, zinc, or stainless steel	
<i>Standard Finishes</i>	Bright chrome, bright brass, satin chrome, satin brass, dark mahogany	
<i>Inside Trim Options</i>	Optional ädäse or MT inside escutcheon	
<i>Standard Backset</i>	2 3/4" (69.9mm) from door edge to lever	
<i>Locking Options</i>	ANSI lock case with 1 1/4" or 1" lock front mortise Options: automatic deadbolt, door ajar, MKO European lock case mortise (20 x 165 mm) with 20 x 233 mm lock front mortise	
<i>Online Configurations</i>	Messenger Ready	DAJ mortise (ANSI lock case) Standard (stand alone) inside escutcheon
	Messenger Online	Lock controller board with Messenger capability DAJ mortise (ANSI lock case) Inside escutcheon equipped with Messenger module
<i>Mobile Key Options (BLE)</i>	BLE compatible	Standard Lock. Upgradable to BLE by adding BLE connector cable, end cap and BLE module
<i>MT RFID</i>	BLE ready BLE enabled	Upgradable to BLE by BLE module End cap with BLE module included, no further upgrades needed

Batteries

<i>Alkaline - Four AA battery pack</i>	Battery life is up to 2 years Low battery indicator: alerts staff that batteries need to be changed soon
--	---

Lock Operation

<i>Date/Time Stamp</i>	Real-time; date and hours/minutes
<i>Interrogation</i>	Obtain key usage reports from the lock by using a handheld unit at the door, or increase efficiency by performing a remote Interrogation using Messenger (optional)
<i>Pre-registered Keycards</i>	Keys can be made up to ten days in advance without cancelling current or arriving guests
<i>Keycard Expiration</i>	Configurable expiration dates; can be automatically set for check out date or manually applied when making key during check in process.
<i>Passage Mode</i>	Set by authorized keycard or Messenger system. Can also be configured to perform an automated/pre-defined passage mode time.
<i>Lockout Mode</i>	Set by authorized keycard or Messenger system
<i>Keycards Accepted</i>	Magstripe, smartcard or Mifare Classic (Quantum RFID and QuantumII) keycards (4 byte NUID)
<i>Feedback</i>	Light indicators in reader
<i>Diagnostics</i>	Light indicators and handheld display
<i>Audit Trail</i>	Up to 4,000 events
<i>Disability Feature</i>	RCU readers interface with automatic power operated doors for special openings
<i>Privacy Override</i>	Emergency keycards

Certifications & Testing

<i>Accessibility Standard</i>	ADA compliant levers (Code of Federal Regulations 28 CFR Part 36 – 1994 "ADA Standards for Accessible Design")
<i>BHMA/ANSI</i>	Certified to be compliant with Grade One performance tests for "ANSI/BHMA A156.13-2005 Standard for Mortise Locks and Latches," and "ANSI/BHMA A156.25-2007 Standard for Electrified Locking Devices." (Only locks tested and approved by non-biased third-party test lab are allowed in the "BHMA Certified Products Directory" found at www.buildershardware.com)
<i>Fire Rating</i>	Listed for pre-prepared manufactured doors and certified for retrofitting on existing doors by Underwriters Laboratories for use on fire doors having up to a three-hour rating. a. U.L. Certification: GWVW.R12071 "Accessories for Single-point Locks and Latches and Fire Exit Hardware." Evaluated in accordance with UL 10B and UL 10C. b. U.L. Listing: GYQS.R11247 "Electrically Controlled Single-point Locks and Latches." Evaluated in accordance with UL 10B and UL 10C. c. Also classified in accordance with Uniform Building Code Standard 7-2, "Fire Test of Door Assemblies" (1997)
<i>Electronics</i>	FCC Part 15 Class A and CE directive 89/336/EEC compliant
<i>Environmental Operating Conditions</i>	Indoor side: 32°F to 151°F (0°C to 66°C) Outdoor side: -31°F to 151°F (-35°C to 66°C) 0% to 85% non-condensing humidity at 86°F (30°C)

Warranty

<i>Standard Factory Warranty</i>	Two years
<i>Extended Warranty</i>	Saflok SAFGARD Service Plans (Platinum, Gold, Silver)