

A detailed view of a DORMA TS COMPAKT door closer. The device is a long, rectangular metal component with a white plastic end cap. It is connected to a door handle via a metal arm and a spring mechanism. The background is a light gray gradient.

# TS COMPAKT

Door Closer

# THE IDEAL COST-EFFICIENT SOLUTION FOR STANDARD DOORS

With the TS Kompakt, DORMA has developed a door closer which can be universally used on all common door types. It is particularly quick and easy to install – and does not require a mounting backplate.

Changes in templating allow easy selection of the closing force to suit various door sizes.

Certified to ISO 9001

## Plus points

### For the trade

- Ideal solution for standard doors.
- Just one model for all sizes to simplify stocking.

### For the user

- Two valves for optimum closing speed.

### For the installer

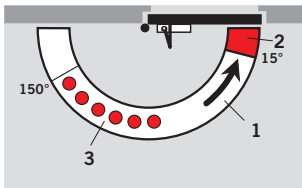
- Non-handed unit.
- Quick and easy to install.
- Fixes perfectly to all door types without the need for a mounting backplate.
- One model for all mounting positions.

Data and features		TS Kompakt
Closing force, adjustable	Size	2/3/4
Standard doors*	≤ 1100 mm	●
External doors, opening outwards*		–
Fire and smoke check doors*	≤ 1100 mm	–
Non-handed		●
Arm	Standard	●
	Slide channel	–
Closing speed adjustable at 2 separate valves	180° – 15°	●
	15° – 0°	●
Backcheck		–
Delayed action		–
Hold-open		○
Weight in kg		1.2
Dimensions in mm	Length	205.0
	Overall depth	46.0
	Height	40.0
C UL US		●

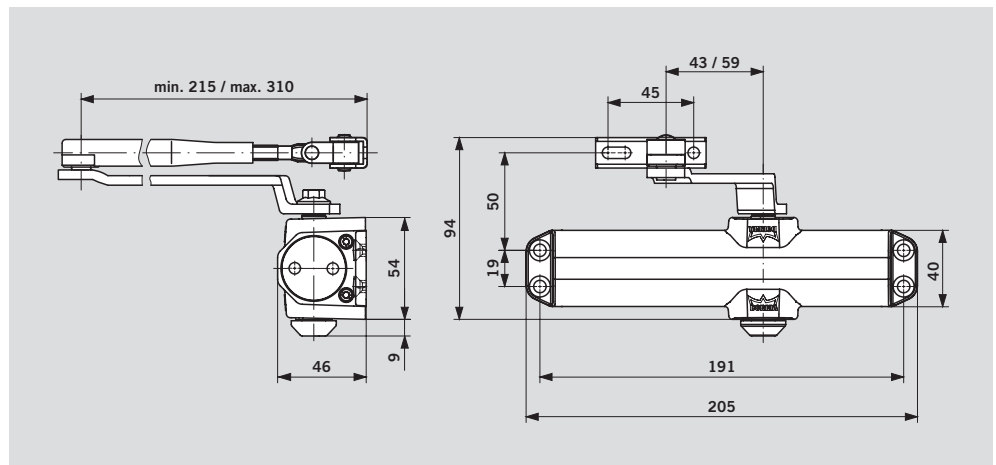
● Yes – no ○ Option

\* For high and heavy doors, external doors, and for doors required to close against high wind pressure, we recommend DORMA TS 83.

## Functions



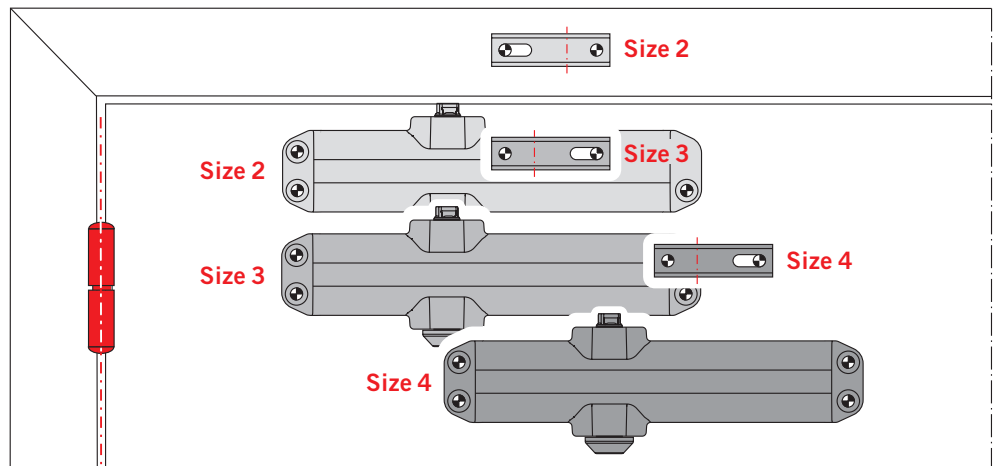
- 1 Adjustable closing speed in the range 180° – 15°.
- 2 Adjustable closing speed in the range 15° – 0°.
- 3 Hold-open range with hold-open arm model (optional extra).



## Closing force settings

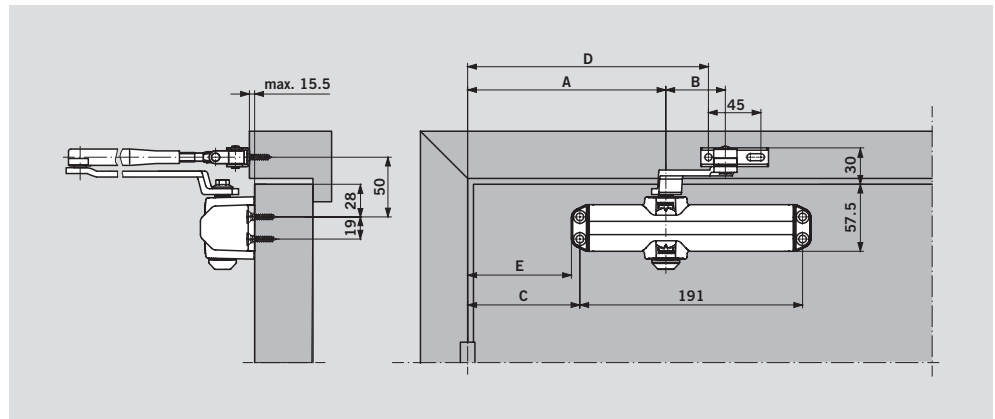
Door width	Size setting
≤ 850	Size 2
≤ 950	Size 3
≤ 1100	Size 4

The TS Kompakt size setting is selected for the door width by moving the closer body and/or turning the arm power shoe.



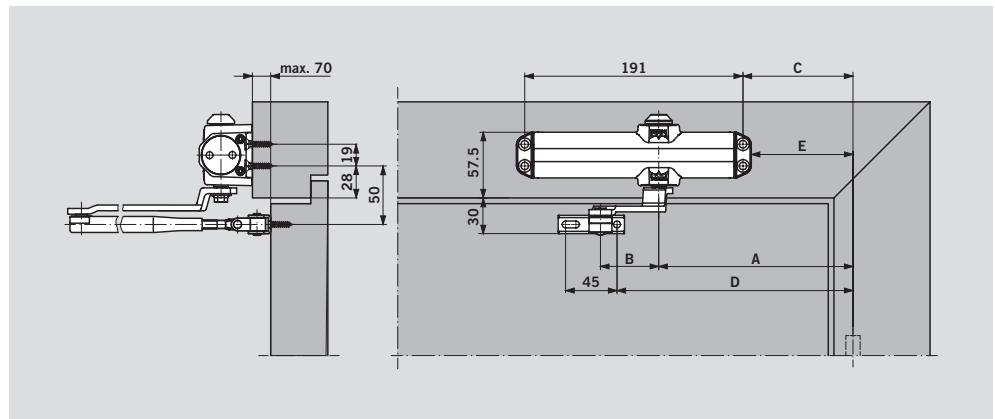
## DOOR-LEAF FIXING, PULL SIDE

	Size 2	Size 3	Size 4
A	170.0	170.0	250.0
B	59.0	43.0	43.0
C	96.5	96.5	176.5
D	198.5	198.5	278.5
E	89.0	89.0	169.0



## FRAME FIXING, PUSH SIDE

	Size 2	Size 3	Size 4
A	170.0	170.0	250.0
B	59.0	43.0	43.0
C	96.5	96.5	176.5
D	198.5	198.5	278.5
E	89.0	89.0	169.0

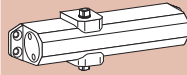
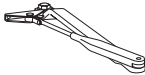
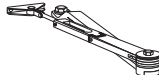


### Note

On the application for size 4 (UL), move the door closer body 13 mm in the opposite direction of the door hinge from the above stated position for size 4.

### Standard equipment

xx	Colour
01	silver
03	brown
11	white (RAL 9016)
19	black (RAL 9005)

Door closer TS Kompakt	Standard arm	Hold-open arm
		
Size 2/3/4	<input type="checkbox"/> 670101xx	<input type="checkbox"/> 670102xx

### Order-Number

= Closer with arm, complete

### Note

If the use of a door closer with mounting plate is required, we recommend DORMA TS 73 V, TS 72, TS 71.

### Specification text

Rack and pinion door closer with selectable closing force, size 2, 3 and 4 and adjustable closing speed in two independent ranges. Non-handed.

### Model

- with standard arm
- with hold-open arm

### Colour

- silver
- brown
- white (similar to RAL 9016)
- black (similar to RAL 9005)

Make DORMA TS Kompakt



DORMA GmbH+Co. KG  
DORMA Platz 1  
58256 ENNEPÉTAL  
GERMANY  
Phone +49 2333 793-0  
Fax +49 2333 793-4950  
[www.dorma.com](http://www.dorma.com)