



ADA square & round push plates (4.5")

Automatic swinging doors

Description

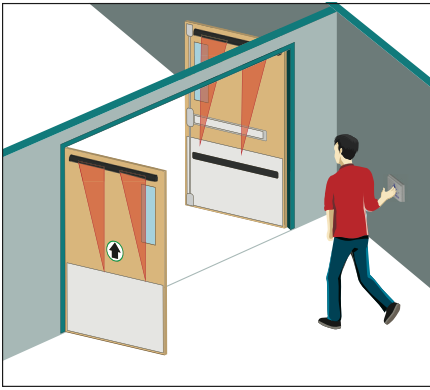
ADA 4.5" round and square push plates improve overall access and seamlessly integrate with automatic door operator activation. These ADA compliant push plates are available in a variety of popular design options, including an alternate International Symbol for Access (ISA) icon.

These push plates may be hard-wired to the door operator or connected to dormakaba wireless transmitters.

Features & benefits

- 1/16" thick stainless steel for maximum durability.
- Concealed fasteners to minimize vandalism.
- Complete kits available including plates, mounting boxes, and optional wireless devices for ease of ordering.
- Various text, graphic, and ISA icon options available.
- Compatible with both surface and flush mount boxes.

Applications



Low energy doors



Wireless compatibility

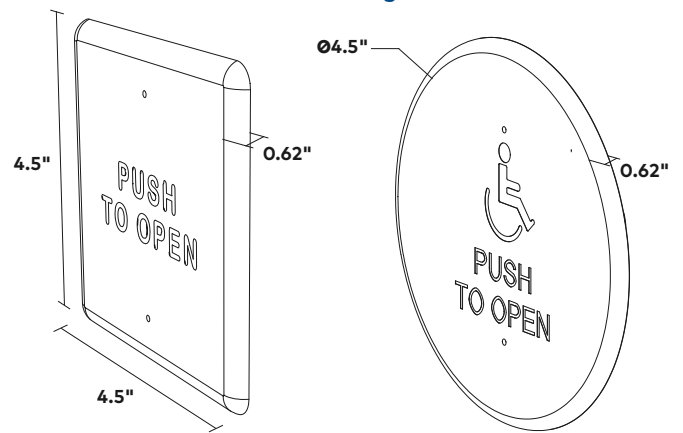


Request to exit

Technical specifications

Faceplate material	16 gauge, 304 2B Stainless Steel
Backplate material	1/8" thick, Aluminum
Mounting screws	Stainless Steel, 6-32 x 1" & 8-32 x 1" Allen head size: 5/64"
Cherry switch	Single-pole, 15 A, COM / NO / NC, UL Recognized
Compatible wireless frequencies	900, 433, or 300 MHz

4.5" square & round push plate dimensional drawings



4.5" round push plates



DX3339-050
"PUSH TO OPEN"
TEXT & ISA ICON



DX3339-005
ISA ICON

4.5" square push plates



DX3339-054
"PUSH TO OPEN"
TEXT & ISA ICON



DX3339-055
ISA ICON ONLY



DX3339-056
"PUSH TO OPEN" TEXT
& ISA ICON, WHITE ON
BLUE



DX3339-172
"PUSH TO OPEN" TEXT &
ALTERNATE ISA ICON



dormakaba USA Inc.
Dorma Drive, Drawer AC
Reamstown, PA 17567
844-SPECNOW
www.dormakaba.us

dormakaba Canada
1680 Courtney Park Dr. Unit 13
Mississauga, ON L5T 1R4
800.387.4938
www.dormakaba.ca