



# Vestibule push plate stainless steel actuator

## Automatic swinging doors

### Description

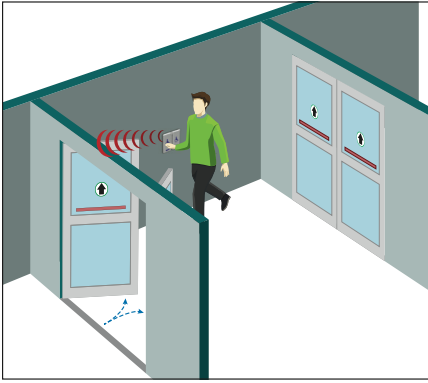
dormakaba's vestibule push plate improves overall access and seamlessly integrates with automatic door operator activation.

These ADA compliant push plates combine two jamb-style plates that fit into one double gang mounting box for ease of installation. These vestibule push plates may be hard-wired to the door operator or connected to dormakaba wireless transmitters.

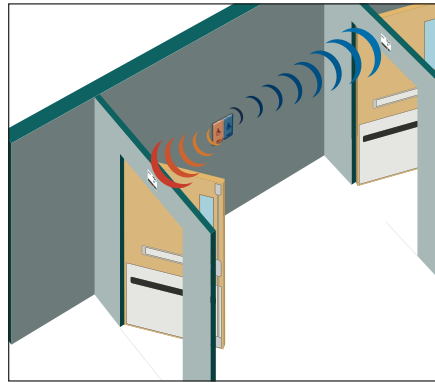
### Features & benefits

- 1/16" thick stainless steel for maximum durability.
- Concealed fasteners to minimize vandalism.
- Complete kits available including plates, mounting boxes, and optional wireless devices for ease of ordering.
- Compatible with both surface and flush mount boxes.

**Applications**



Vestibule

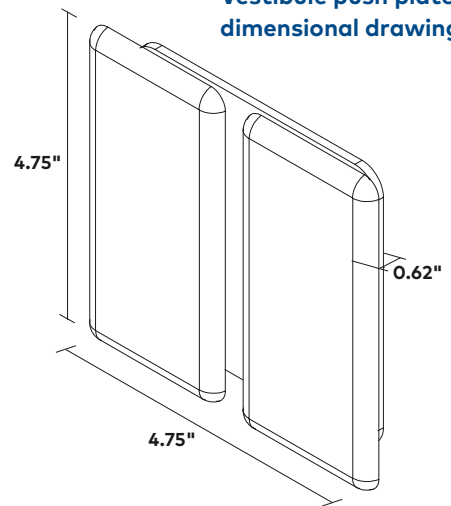


Wireless compatibility

**Technical specifications**

|  |  |
|--|--|
| <b>Faceplate material</b>              | 16 gauge, 304 2B Stainless Steel                                 |
| <b>Backplate material</b>              | 1/8" thick, Aluminum   |
| <b>Mounting screws</b>                 | Stainless Steel, 6-32 x 1" & 8-32 x 1"<br>Allen head size: 5/64" |
| <b>Cherry switch</b>                   | Single-pole, 15 A, COM / NO / NC,<br>UL Recognized               |
| <b>Compatible wireless frequencies</b> | 900, 433, or 300 MHz   |

**Vestibule push plate dimensional drawing**



**Vestibule push plate**



**DX3339-151**  
"PUSH TO OPEN" TEXT &  
INTERNATIONAL SYMBOL FOR  
ACCESS (ISA) ICON



dormakaba USA Inc.  
Dorma Drive, Drawer AC  
Reamstown, PA 17567  
844-SPECNOW  
www.dormakaba.us

dormakaba Canada  
1680 Courtney Park Dr. Unit 13  
Mississauga, ON L5T 1R4  
800.387.4938  
www.dormakaba.ca