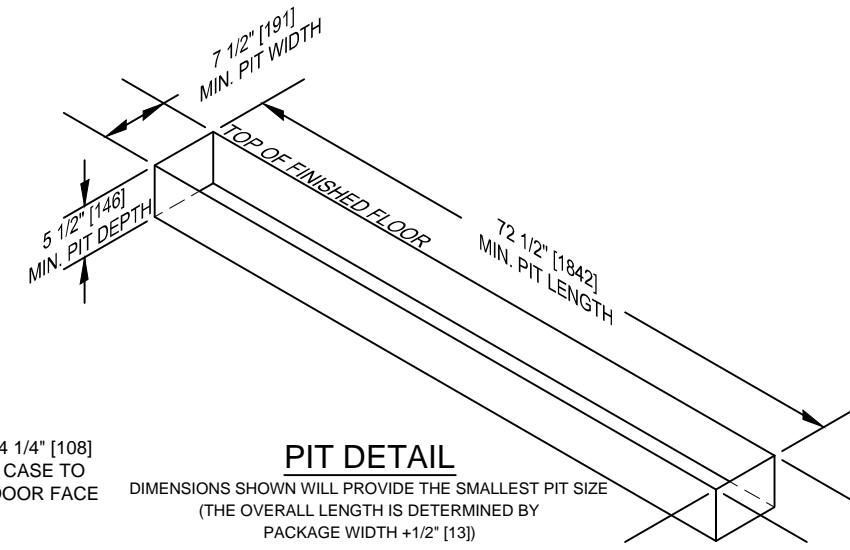
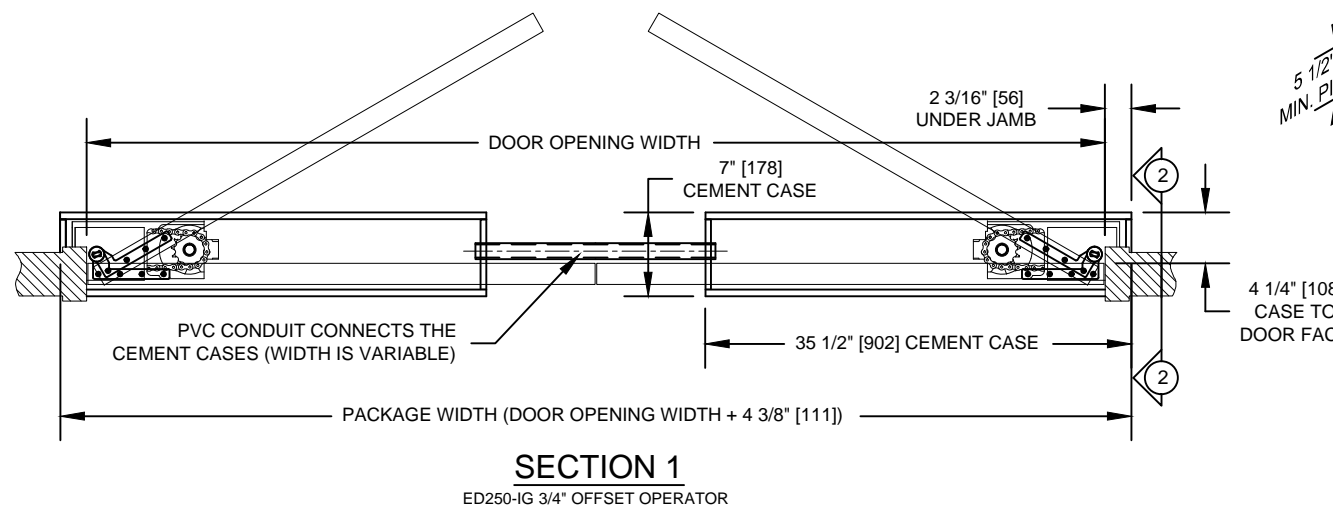
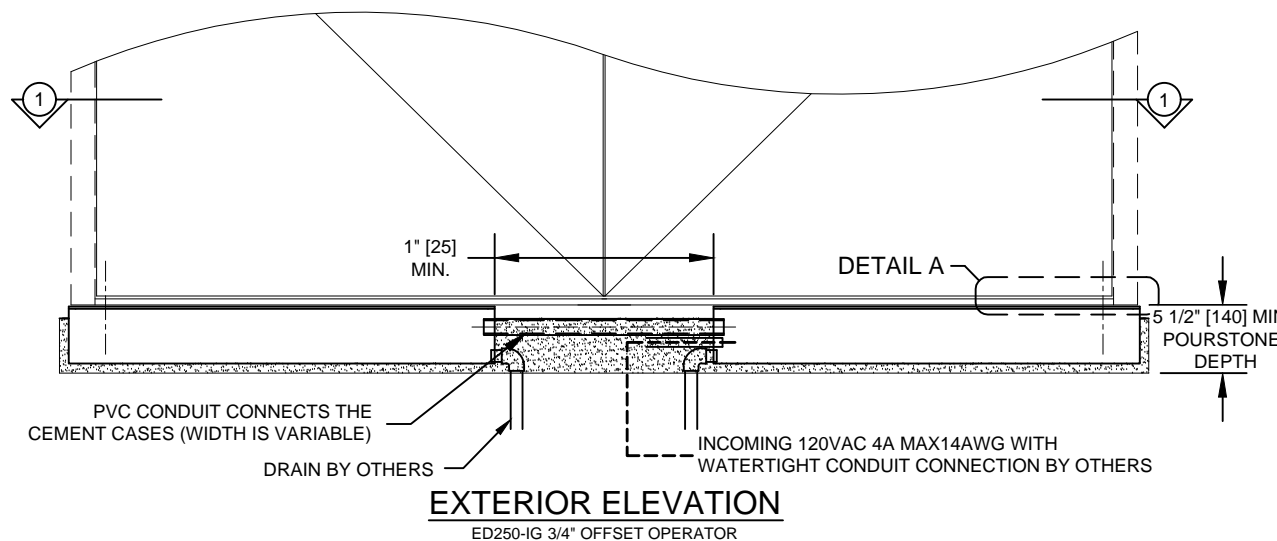
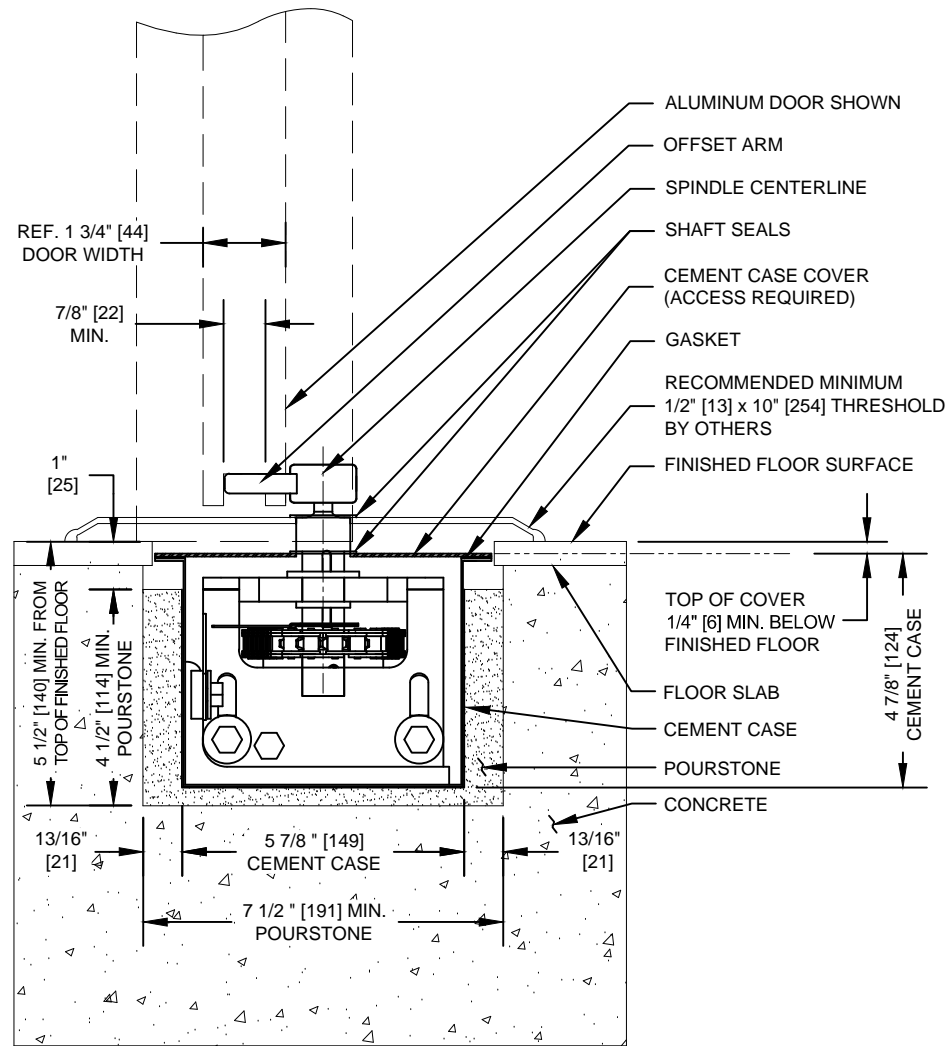
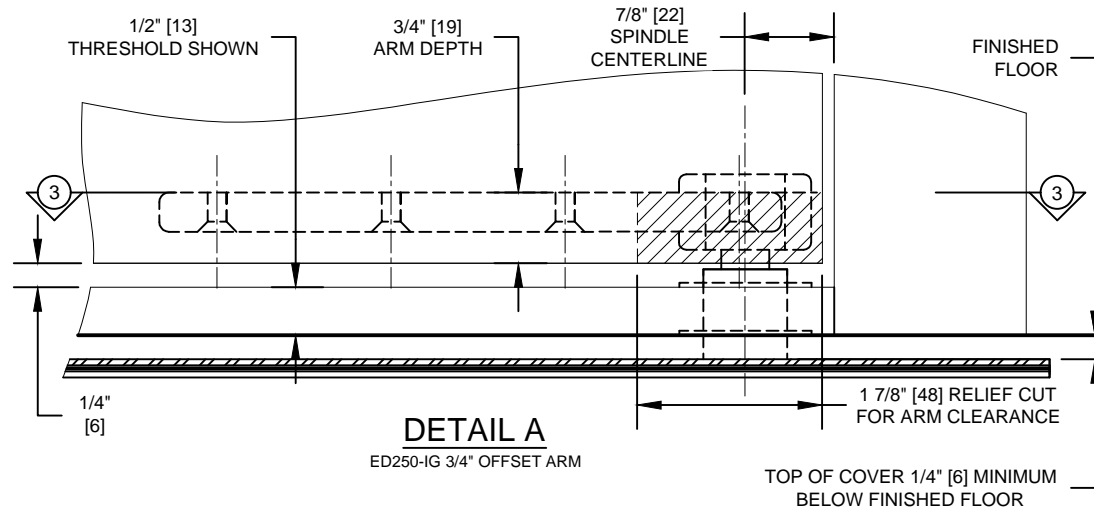
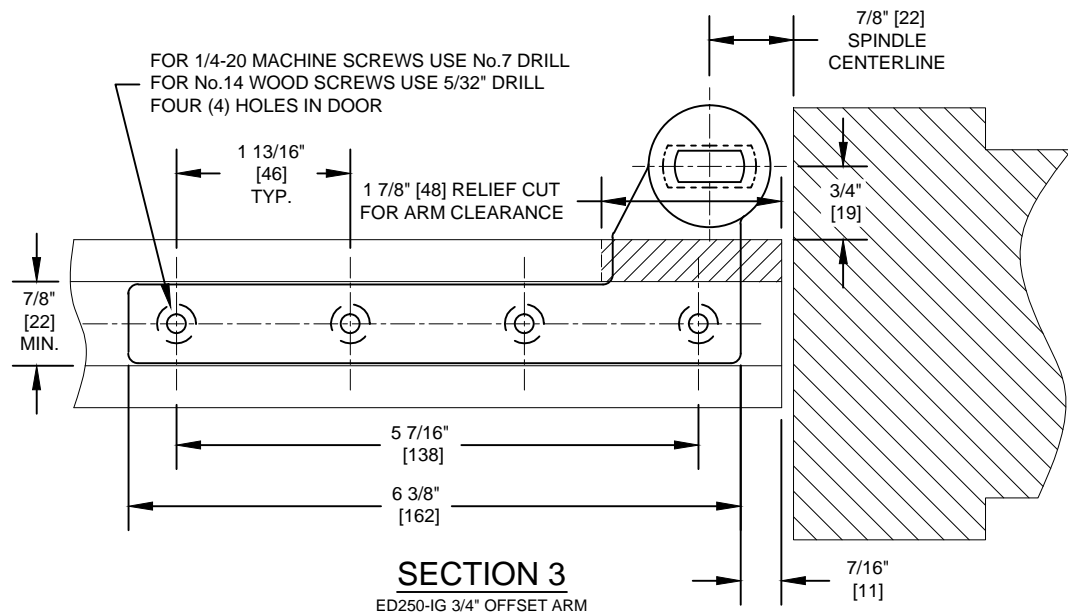
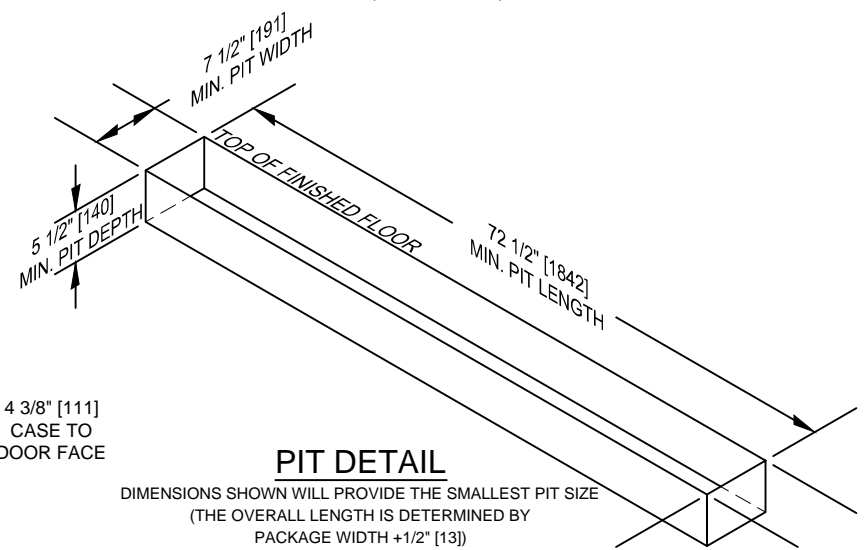
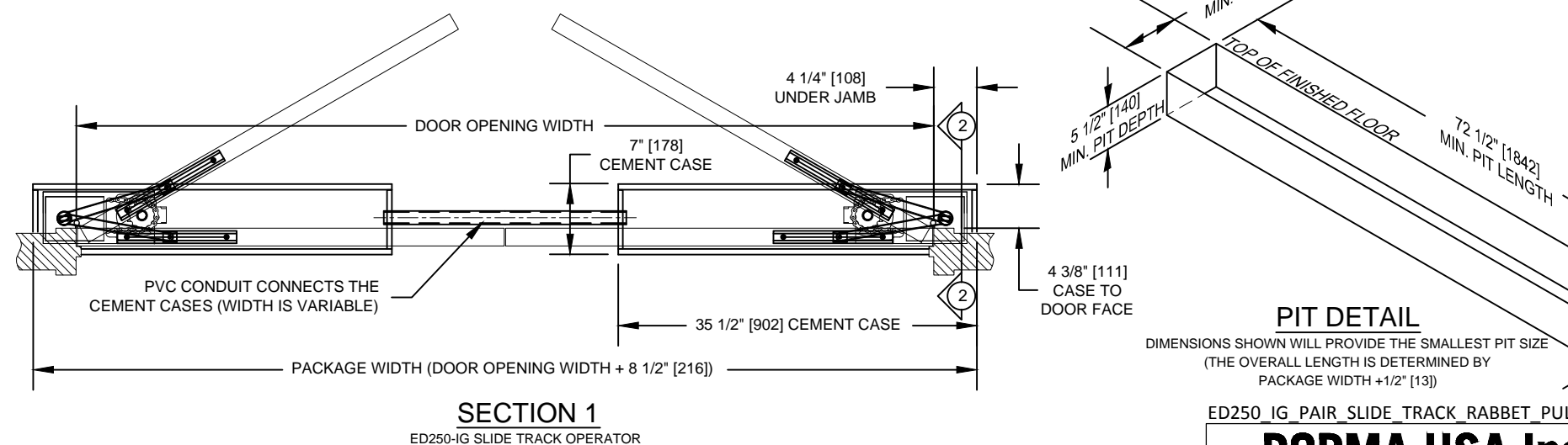
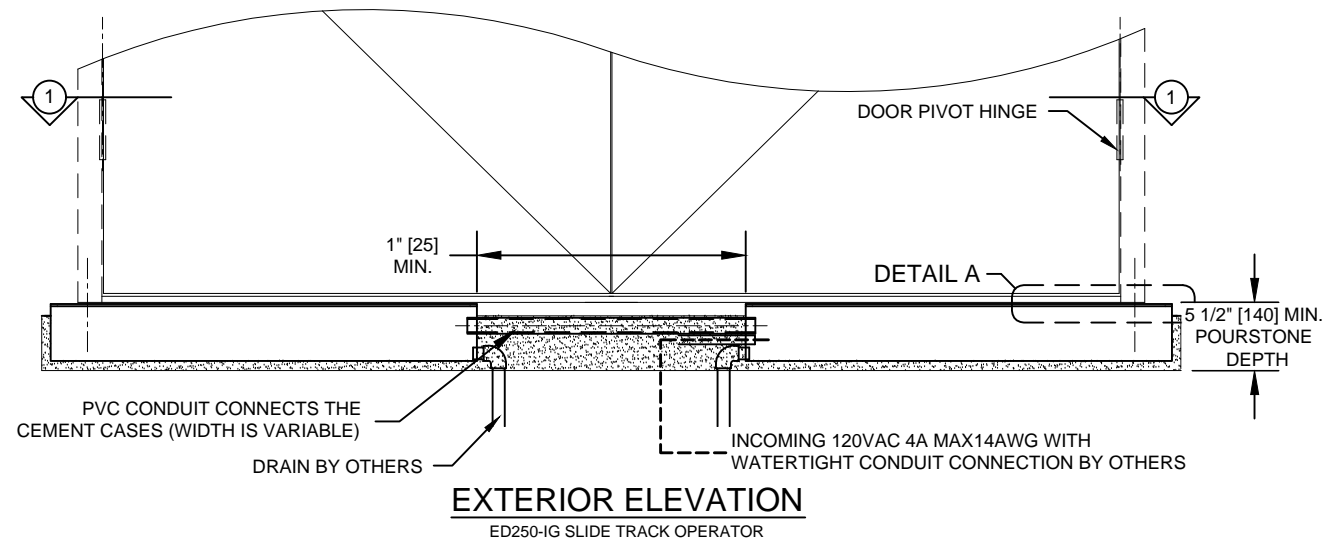
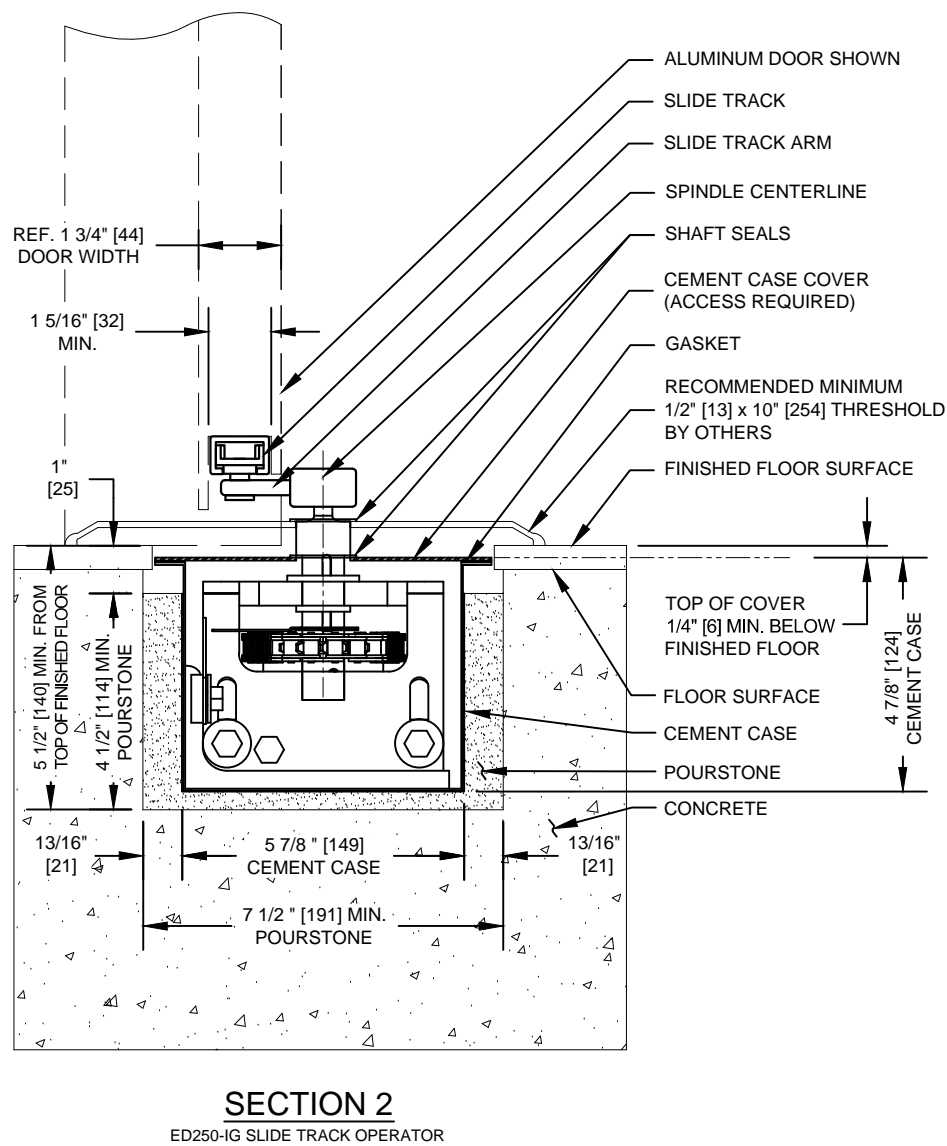
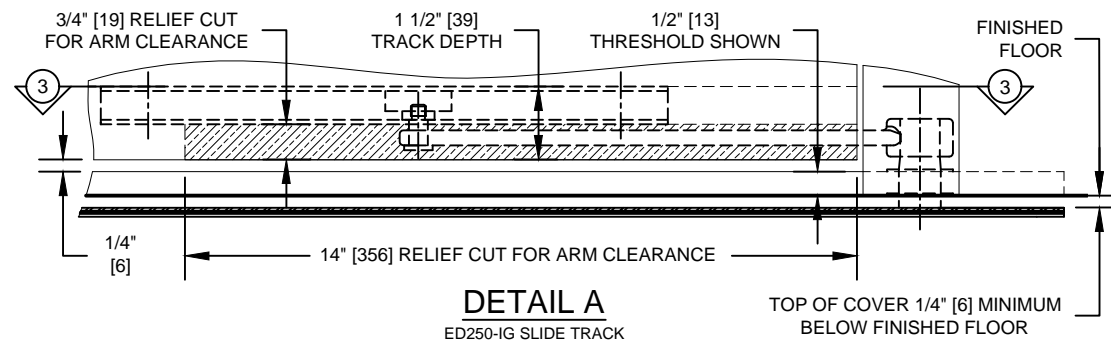
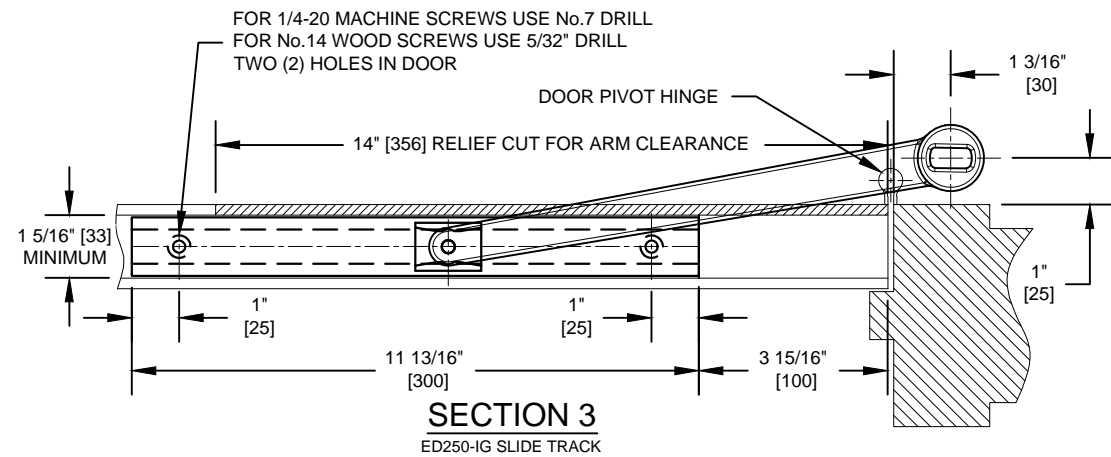


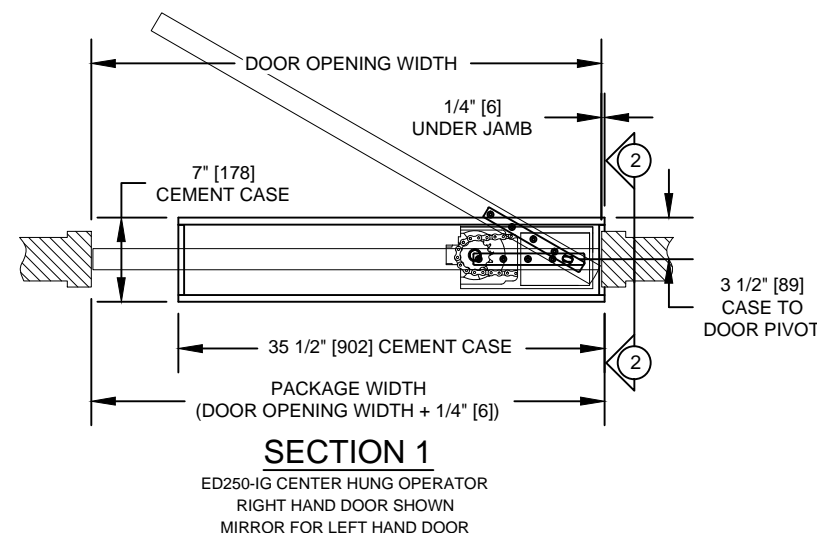
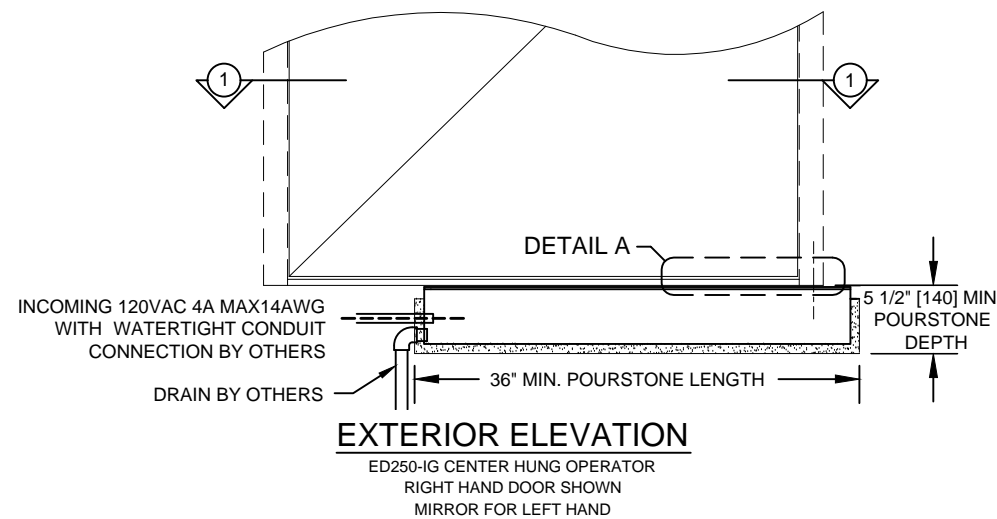
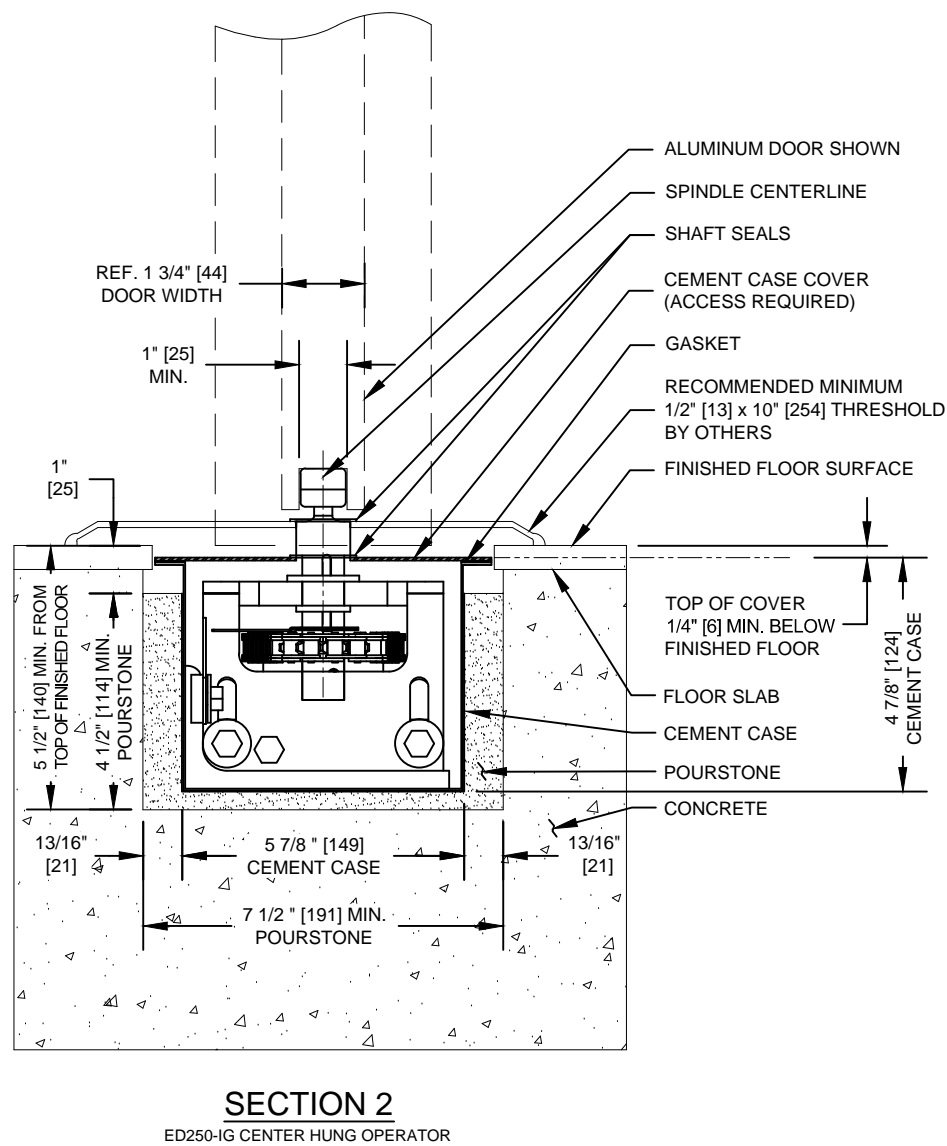
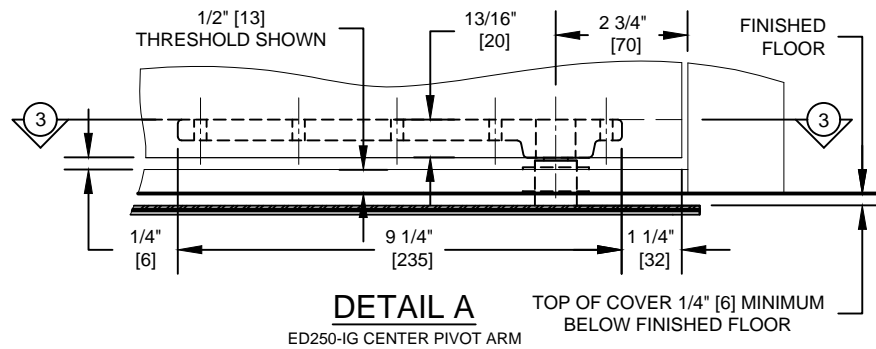
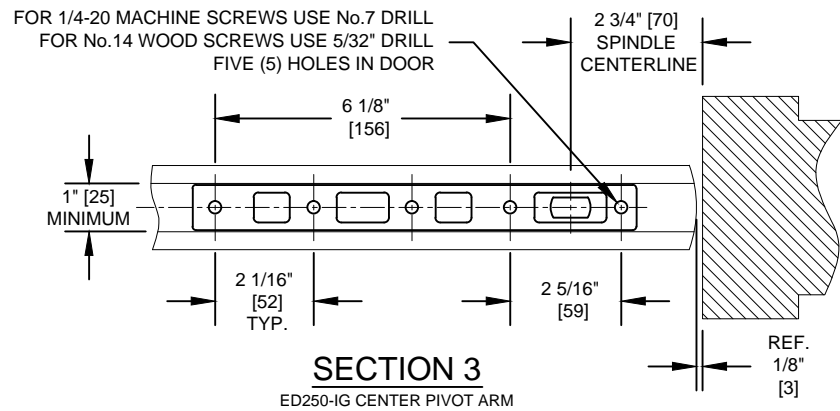
- The ED250-IG low profile automatic operator, Pair door package consists of:
  - Operator:
    - Operator, Chain Drive, Pivot and Controller.
    - Case, Cover and Water tight seal.
    - PVC Connection Kit (DK3126)
    - Power supply for external sensors: 24VDC, 800mA.
    - Jamb mounted 3 function rocker switch panel: Hold Open, On & Off.
    - ED250 LE door leaf:
      - Maximum 38" [965] wide at 265 lbs [120].
      - Maximum 46" [1168] wide at 165 lbs [75].
    - ED250 FE door leaf:
      - Maximum 55" [1400] wide at 550 lbs [250].
      - Maximum 63" [1600] wide at 420 lbs [190].
    - Operator is NOT handed, can be Left or Right.
  - Arms:
    - Center hung arm shown (DC3122-010).
    - 3/4" offset and Slide track arms available.
  - Required ANSI Labels.
- Finishes:
  - Center hung arm:
    - Zinc plated.
- Typical Package Options:
  - DORMA Upgrade cards. (See brochure for details).
    - FE upgrade card.
    - Fire Protection upgrade card.
    - Professional upgrade card.
    - Barrier-Free Toilet upgrade card.
- Drawing Notes:
  - Drawing dimensions are in English & Metric units. Metric units are displayed as: 1" [25] millimeters.
  - Operator Dimensions:
    - Cement case: 7" [177] wide x 4 7/8" [124] high x 35 1/2" [901] long.
    - Typical block out depth for the cement case is 5 1/2" [140] minimum.
    - Approximate pair operator weight: 60 lbs [26kg].
    - Door opening width Min. 5'-10 1/2" [1791].
  - Maximum Opening Angle 110°.
  - Not recommended for ANSI 156.10 use.
- Power Requirements:
  - 120V +/- 10%, 50/60 Hz, 6.6A peak (per operator). One operator per GFI circuit. Service to header by electrician.
- Standards of Compliance:
  - UL 325 & CSA 22.2 (listed with ETL).
  - Designed to comply with these standards depending on installation and application:
    - International Building Code (Section 1008).
    - ANSI/ BHMA 156.10 (Requires additional overhead activation and safety sensors). (May also require guide rails depending on configuration).
    - ANSI/ BHMA 156.19 (Requires additional knowing activation devices not shown in drawing).
    - NFPA 101 Life Safety Code (Section 7.2.1.9).
    - Electrical Safety Recognition: UL 50, CSA C22.2 # 94.1 (When weather seal is installed correctly).
  - Refer to Local, State, National or AHJ. Building Code for minimum door height and minimum/maximum width allowable for egress requirements.
- Contact Dorma Architectural Services for more information:
  - Email: [SPECNOW@dorma.com](mailto:SPECNOW@dorma.com)
  - Phone: 1-844-SPEC-NOW (1-844-773-2669)



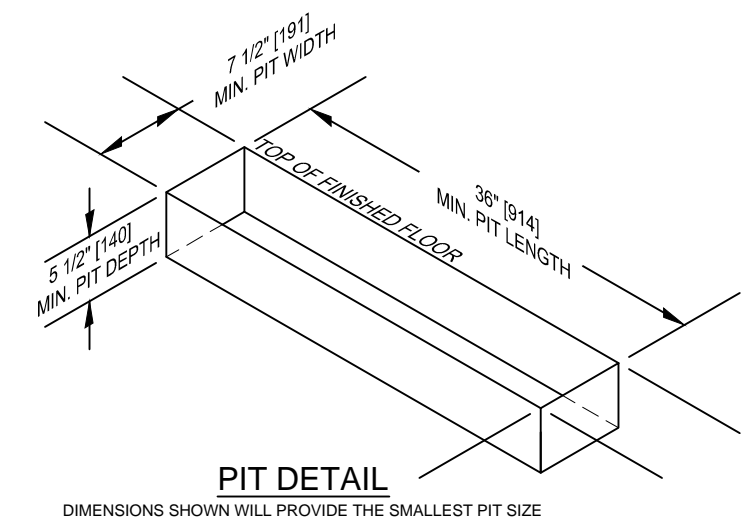
- The ED250-IG low profile automatic operator, Pair door package consists of:
  - Operator:
    - Operator, Chain Drive, Pivot and Controller.
    - Case, Cover and Water tight seal.
    - PVC Connection Kit (DK3126)
    - Power supply for external sensors: 24VDC, 800mA.
    - Jamb mounted 3 function rocker switch panel: Hold Open, On & Off.
    - ED250 LE door leaf:
      - Maximum 38" [965] wide at 265 lbs [120].
      - Maximum 46" [1168] wide at 165 lbs [75].
    - ED250 FE door leaf:
      - Maximum 55" [1400] wide at 550 lbs [250].
      - Maximum 63" [1600] wide at 420 lbs [190].
    - Operator is NOT handed, can be Left or Right.
  - Arms:
    - 3/4" Offset arm shown (DC3123-010).
    - Center hung and Slide track arms available.
  - Required ANSI Labels.
- Finishes:
  - 3/4" Offset arm:
    - Dark Bronze painted.
    - Silver painted.
- Typical Package Options:
  - DORMA Upgrade cards. (See brochure for details).
    - FE upgrade card.
    - Fire Protection upgrade card.
    - Professional upgrade card.
    - Barrier-Free Toilet upgrade card.
- Drawing Notes:
  - Drawing dimensions are in English & Metric units. Metric units are displayed as: 1" [25] millimeters.
  - Operator Dimensions:
    - Cement case: 7" [177] wide x 4 7/8" [124] high x 35 1/2" [901] long.
    - Typical block out depth for the cement case is 5 1/2" [140] minimum.
    - Approximate pair operator weight: 60 lbs [26kg].
    - Door opening width Min. 5'-6 5/8" [1692].
  - Maximum Opening Angle 110°.
  - Not recommended for ANSI 156.10 use.
- Power Requirements:
  - 120V +/- 10%, 50/60 Hz, 6.6A peak (per operator). One operator per GFI circuit. Service to header by electrician.
- Standards of Compliance:
  - UL 325 & CSA 22.2 (listed with ETL).
  - Designed to comply with these standards depending on installation and application:
    - International Building Code (Section 1008).
    - ANSI/ BHMA 156.10 (Requires additional overhead activation and safety sensors). (May also require guide rails depending on configuration).
    - ANSI/ BHMA 156.19 (Requires additional knowing activation devices not shown in drawing).
    - NFPA 101 Life Safety Code (Section 7.2.1.9).
    - Electrical Safety Recognition: UL 50, CSA C22.2 # 94.1 (When weather seal is installed correctly).
  - Refer to Local, State, National or AHJ. Building Code for minimum door height and minimum/maximum width allowable for egress requirements.
- Contact Dorma Architectural Services for more information:
  - Email: [SPECNOW@dorma.com](mailto:SPECNOW@dorma.com)
  - Phone: 1-844-SPEC-NOW (1-844-773-2669)

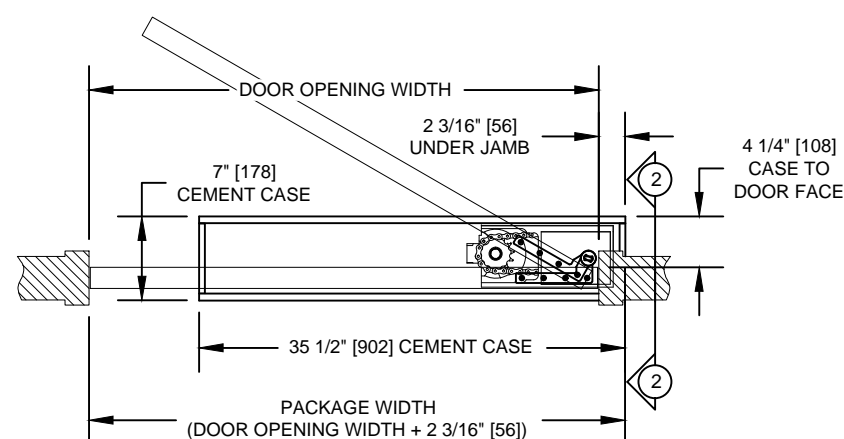
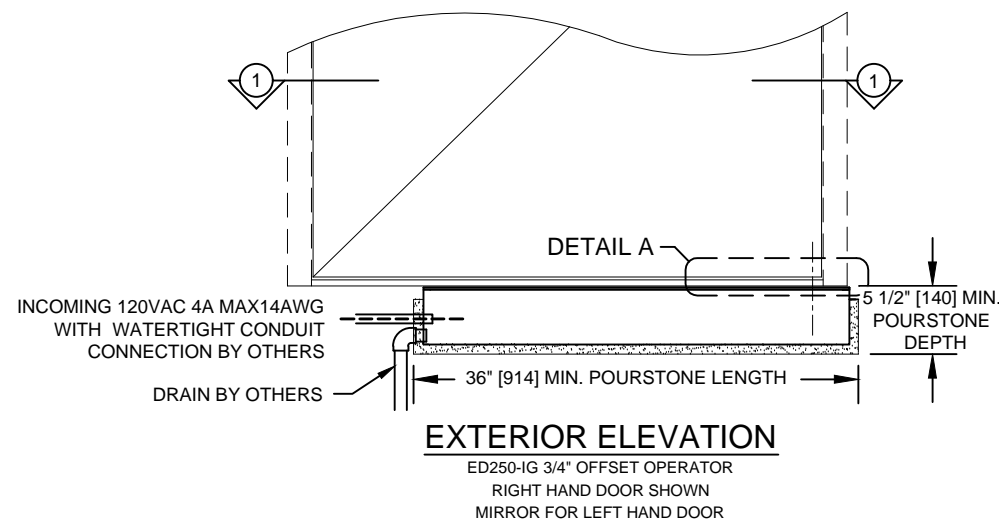
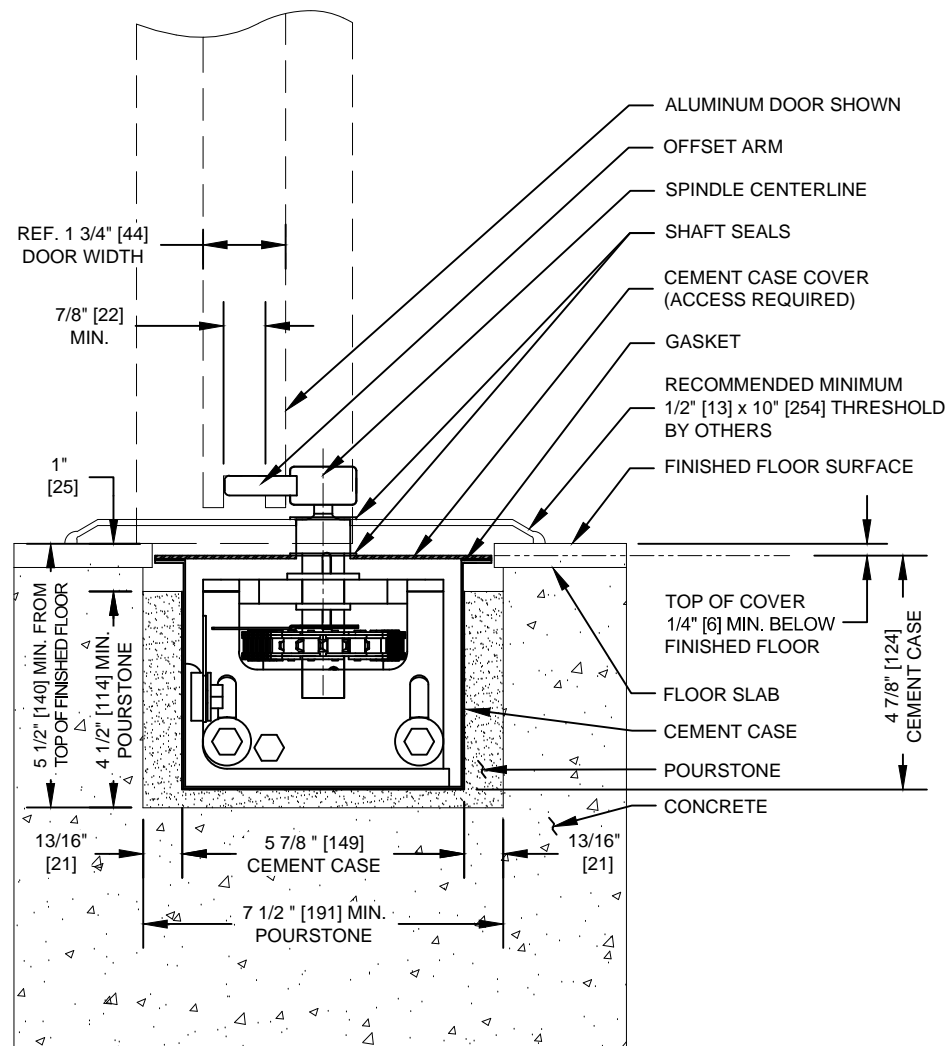
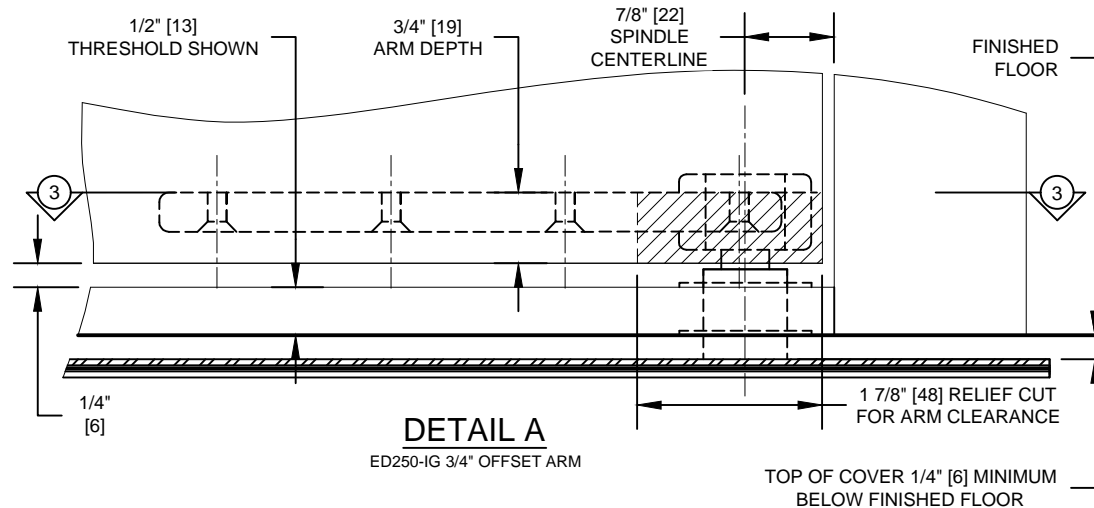
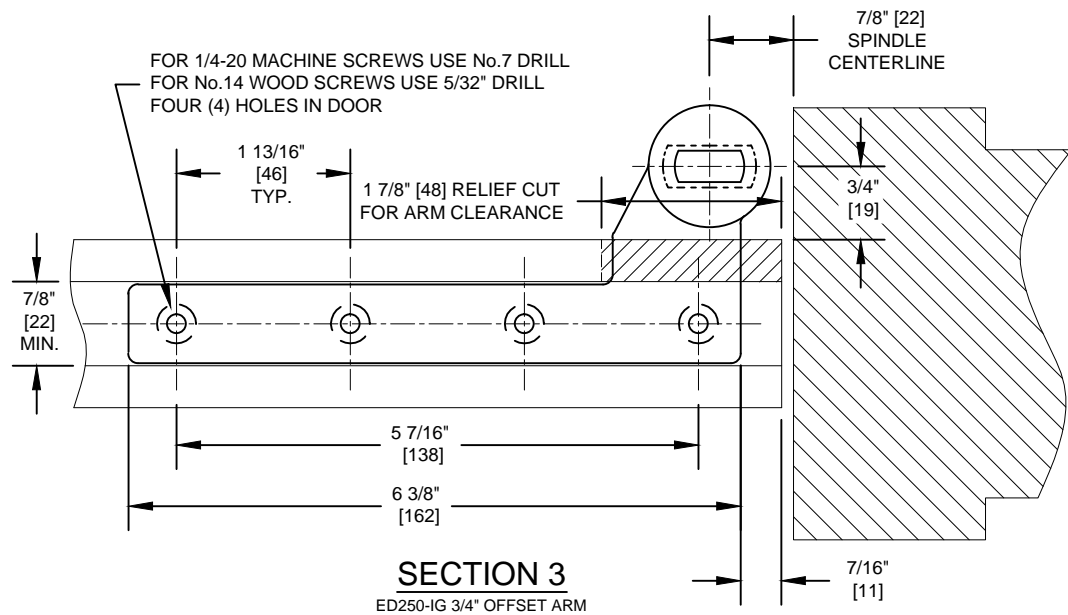


- The ED250-IG low profile automatic operator, Pair door package consists of:
  - Operator:
    - Operator, Chain Drive, Pivot and Controller.
    - Case, Cover and Water tight seal.
    - PVC Connection Kit (DK3126)
    - Power supply for external sensors: 24VDC, 800mA.
    - Jamb mounted 3 function rocker switch panel: Hold Open, On & Off.
    - ED250 LE door leaf:
      - Maximum 38" [965] wide at 265 lbs [120].
      - Maximum 46" [1168] wide at 165 lbs [75].
    - ED250 FE door leaf:
      - Maximum 55" [1400] wide at 550 lbs [250].
      - Maximum 63" [1600] wide at 420 lbs [190].
    - Operator is NOT handed, can be Left or Right.
  - Arms:
    - Slide track shown (DK3424-010).
    - Center hung and 3/4" offset arms available.
  - Required ANSI Labels.
- Finishes:
  - Slide track:
    - Dark Bronze painted.
    - Silver painted.
- Typical Package Options:
  - DORMA Upgrade cards. (See brochure for details).
    - FE upgrade card.
    - Fire Protection upgrade card.
    - Professional upgrade card.
    - Barrier-Free Toilet upgrade card.
- Drawing Notes:
  - Drawing dimensions are in English & Metric units. Metric units are displayed as: 1" [25] millimeters.
  - Operator Dimensions:
    - Cement case: 7" [177] wide x 4 7/8" [124] high x 35 1/2" [901] long.
    - Typical block out depth for the cement case is 5 1/2" [140] minimum.
    - Approximate pair operator weight: 60 lbs [26kg].
    - Door opening width Min. 5'-3 1/2" [1613].
  - Maximum Opening Angle 110°.
  - Not recommended for ANSI 156.10 use.
- Power Requirements:
  - 120V +/- 10%, 50/60 Hz, 6.6A peak (per operator). One operator per GFI circuit. Service to header by electrician.
- Standards of Compliance:
  - UL 325 & CSA 22.2 (listed with ETL).
  - Designed to comply with these standards depending on installation and application:
    - International Building Code (Section 1008).
    - ANSI/ BHMA 156.10 (Requires additional overhead activation and safety sensors). (May also require guide rails depending on configuration).
    - ANSI/ BHMA 156.19 (Requires additional knowing activation devices not shown in drawing).
    - NFPA 101 Life Safety Code (Section 7.2.1.9).
    - Electrical Safety Recognition: UL 50, CSA C22.2 # 94.1 (When weather seal is installed correctly).
  - Refer to Local, State, National or AHJ. Building Code for minimum door height and minimum/maximum width allowable for egress requirements.
- Contact Dorma Architectural Services for more information:
  - Email: SPECNOW@dorma.com
  - Phone: 1-844-SPEC-NOW (1-844-773-2669)

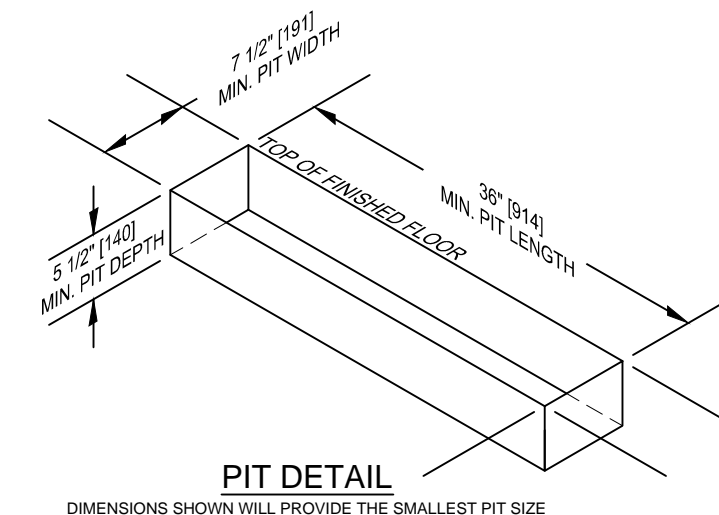


1. The ED250-IG low profile automatic operator, Single door package consists of:
  - A. Operator:
    - Operator, Chain Drive, Pivot and Controller.
    - Case, Cover and Water tight seal.
    - Power supply for external sensors: 24VDC, 800mA.
    - Jamb mounted 3 function rocker switch panel: Hold Open, On & Off.
    - ED250 LE door leaf:
      - Maximum 38" [965] wide at 265 lbs [120].
      - Maximum 46" [1168] wide at 165 lbs [75].
    - ED250 FE door leaf:
      - Maximum 55" [1400] wide at 550 lbs [250].
      - Maximum 63" [1600] wide at 420 lbs [190].
    - Operator is NOT handed, can be Left or Right.
  - B. Arms:
    - Center hung arm shown (DC3122-010).
    - 3/4" offset and Slide track arms available.
  - C. Required ANSI Labels.
2. Finishes:
  - A. Center hung arm:
    - Zinc plated.
3. Typical Package Options:
  - A. DORMA Upgrade cards. (See brochure for details).
    - FE upgrade card.
    - Fire Protection upgrade card.
    - Professional upgrade card.
    - Barrier-Free Toilet upgrade card.
4. Drawing Notes:
  - A. Drawing dimensions are in English & Metric units. Metric units are displayed as: 1" [25] millimeters.
  - B. Operator Dimensions:
    - Cement case: 7" [177] wide x 4 7/8" [124] high x 35 1/2" [901] long.
    - Typical block out depth for the cement case is 5 1/2" [140] minimum.
    - Approximate single operator weight: 30 lbs [13 kg].
  - C. Maximum Opening Angle 110°.
  - D. Not recommended for ANSI 156.10 use.
5. Power Requirements:
  - A. 120V +/- 10%, 50/60 Hz, 6.6A peak (per operator). One operator per GFI circuit. Service to header by electrician.
6. Standards of Compliance:
  - A. UL 325 & CSA 22.2 (listed with ETL).
  - B. Designed to comply with these standards depending on installation and application:
    - International Building Code (Section 1008).
    - ANSI/ BHMA 156.10 (Requires additional overhead activation and safety sensors). (May also require guide rails depending on configuration).
    - ANSI/ BHMA 156.19 (Requires additional knowing activation devices not shown in drawing).
    - NFPA 101 Life Safety Code (Section 7.2.1.9).
    - Electrical Safety Recognition: UL 50, CSA C22.2 # 94.1 (When weather seal is installed correctly).
  - C. Refer to Local, State, National or AHJ. Building Code for minimum door height and minimum/maximum width allowable for egress requirements.
7. Contact Dorma Architectural Services for more information:
  - A. Email: [SPECNOW@dorma.com](mailto:SPECNOW@dorma.com)
  - B. Phone: 1-844-SPEC-NOW (1-844-773-2669)





- The ED250-IG low profile automatic operator, Single door package consists of:
  - Operator:
    - Operator, Chain Drive, Pivot and Controller.
    - Case, Cover and Water tight seal.
    - Power supply for external sensors: 24VDC, 800mA.
    - Jamb mounted 3 function rocker switch panel: Hold Open, On & Off.
    - ED250 LE door leaf:
      - Maximum 38" [965] wide at 265 lbs [120].
      - Maximum 46" [1168] wide at 165 lbs [75].
    - ED250 FE door leaf:
      - Maximum 55" [1400] wide at 550 lbs [250].
      - Maximum 63" [1600] wide at 420 lbs [190].
    - Operator is NOT handed, can be Left or Right.
  - Arms:
    - 3/4" Offset arm shown (DC3123-010).
    - Center hung and Slide track arms available.
  - Required ANSI Labels.
- Finishes:
  - 3/4" Offset arm:
    - Dark Bronze painted.
    - Silver painted.
- Typical Package Options:
  - DORMA Upgrade cards. (See brochure for details).
    - FE upgrade card.
    - Fire Protection upgrade card.
    - Professional upgrade card.
    - Barrier-Free Toilet upgrade card.
- Drawing Notes:
  - Drawing dimensions are in English & Metric units. Metric units are displayed as: 1" [25] millimeters.
  - Operator Dimensions:
    - Cement case: 7" [177] wide x 4 7/8" [124] high x 35 1/2" [901] long.
    - Typical block out depth for the cement case is 5 1/2" [140] minimum.
    - Approximate single operator weight: 30 lbs [13 kg].
  - Maximum Opening Angle 110°.
  - Not recommended for ANSI 156.10 use.
- Power Requirements:
  - 120V +/- 10%, 50/60 Hz, 6.6A peak (per operator). One operator per GFI circuit. Service to header by electrician.
- Standards of Compliance:
  - UL 325 & CSA 22.2 (listed with ETL).
  - Designed to comply with these standards depending on installation and application:
    - International Building Code (Section 1008).
    - ANSI/ BHMA 156.10 (Requires additional overhead activation and safety sensors). (May also require guide rails depending on configuration).
    - ANSI/ BHMA 156.19 (Requires additional knowing activation devices not shown in drawing).
    - NFPA 101 Life Safety Code (Section 7.2.1.9).
    - Electrical Safety Recognition: UL 50, CSA C22.2 # 94.1 (When weather seal is installed correctly).
  - Refer to Local, State, National or AHJ. Building Code for minimum door height and minimum/maximum width allowable for egress requirements.
- Contact Dorma Architectural Services for more information:
  - Email: [SPECNOW@dorma.com](mailto:SPECNOW@dorma.com)
  - Phone: 1-844-SPEC-NOW (1-844-773-2669)



ED250\_IG\_SINGLE\_OFFSET

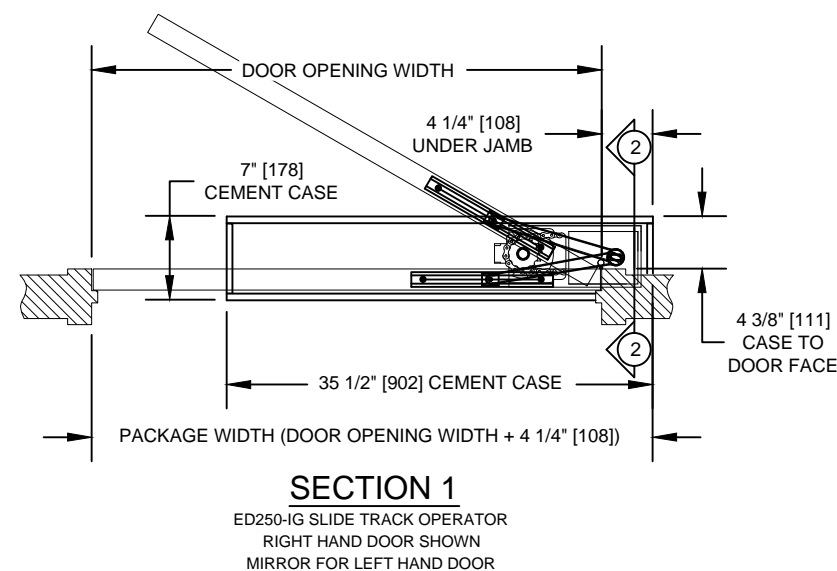
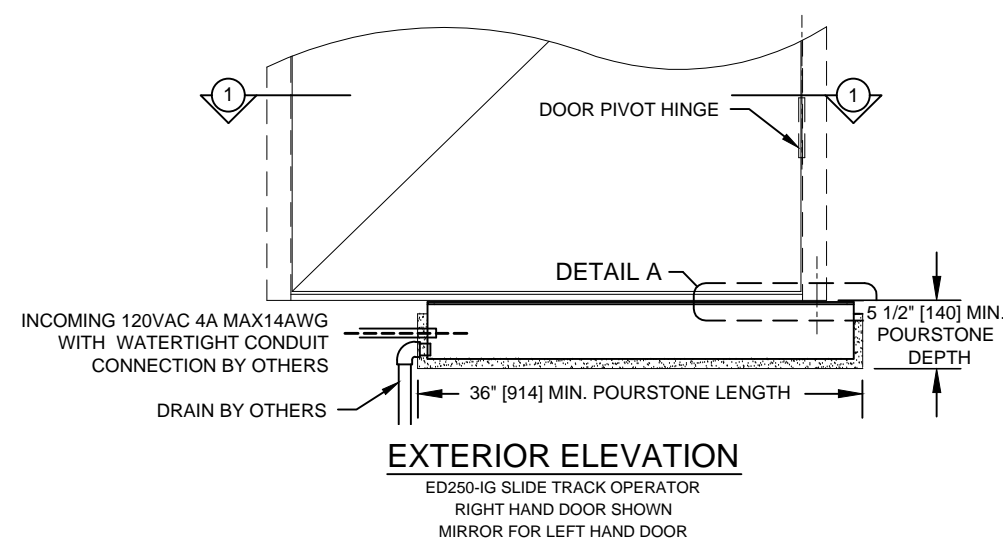
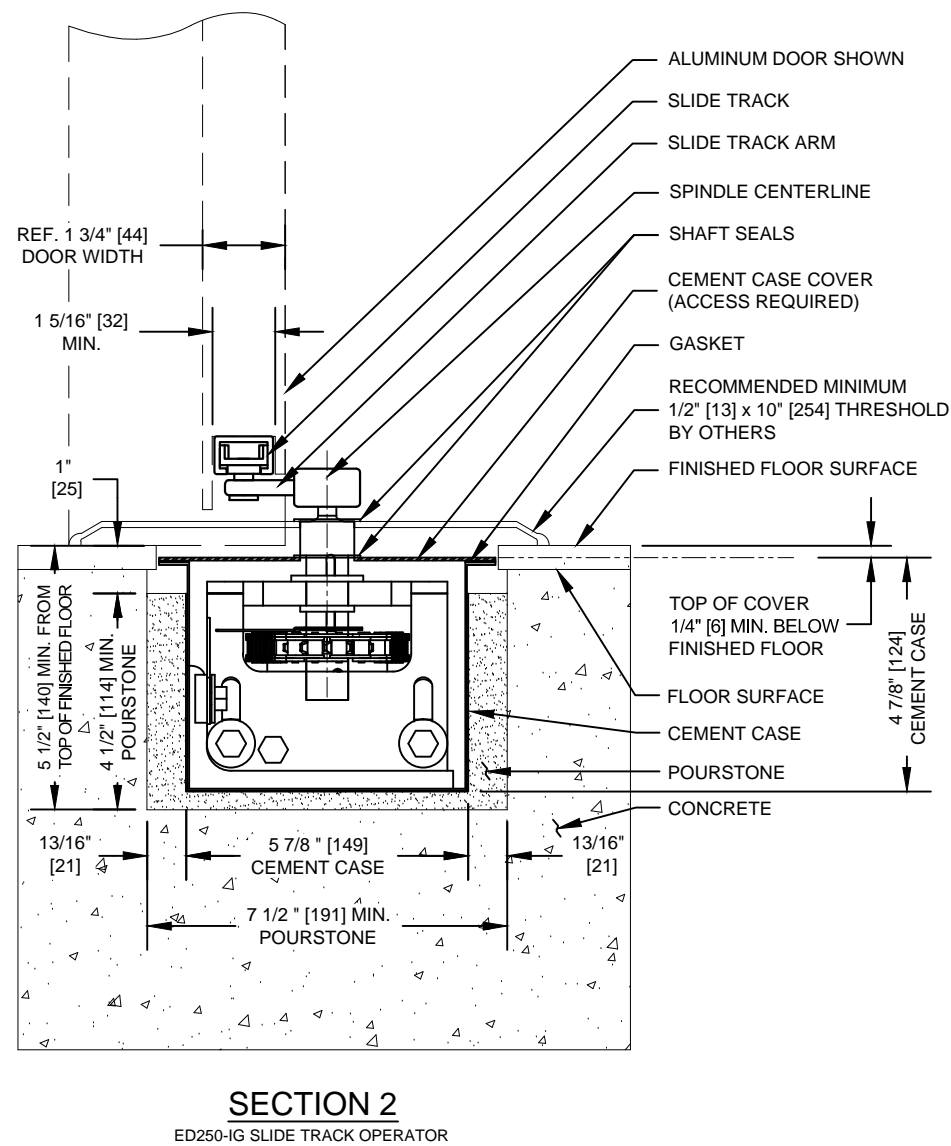
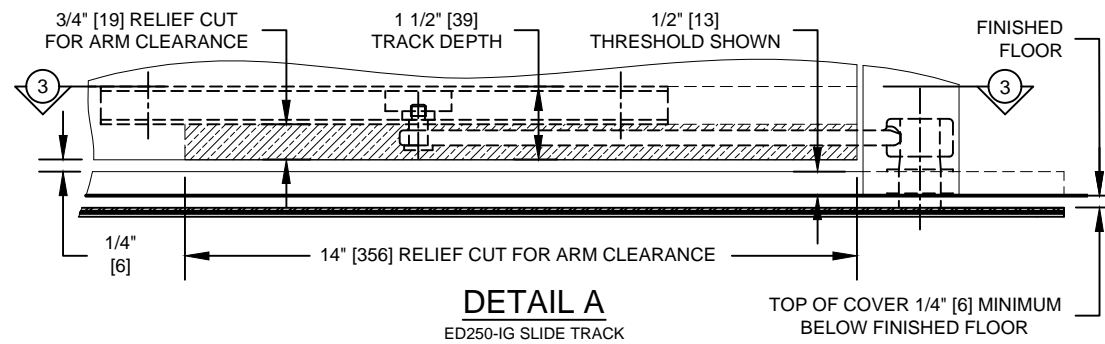
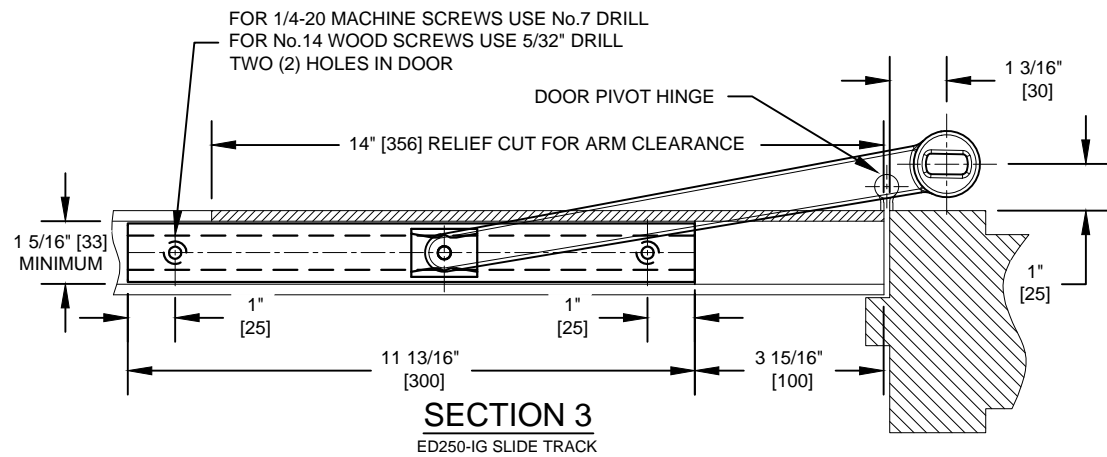
Sheet 1 of 1

**DORMA USA Inc.**  
924 Sherwood Dr. Lake Bluff, IL 60044 Phone: 800-523-8483

Drawing Title: **ED250 IG AUTOMATIC SWING DOOR**

**SINGLE 3/4" OFFSET PIVOT IN-GROUND OPERATOR**

© DORMA USA Inc. Subject to Change Without Notice. Date: 17-NOV-2015



- The ED250-IG low profile automatic operator, Single door package consists of:
  - Operator:
    - Operator, Chain Drive, Pivot and Controller.
    - Case, Cover and Water tight seal.
    - Power supply for external sensors: 24VDC, 800mA.
    - Jamb mounted 3 function rocker switch panel: Hold Open, On & Off.
    - ED250 LE door leaf:
      - Maximum 38" [965] wide at 265 lbs [120].
      - Maximum 46" [1168] wide at 165 lbs [75].
    - ED250 FE door leaf:
      - Maximum 55" [1400] wide at 550 lbs [250].
      - Maximum 63" [1600] wide at 420 lbs [190].
    - Operator is NOT handed, can be Left or Right.
  - Arms:
    - Slide track shown (DK3424-010).
    - Center hung and 3/4" offset arms available.
  - Required ANSI Labels.
- Finishes:
  - Slide track:
    - Dark Bronze painted.
    - Silver painted.
- Typical Package Options:
  - DORMA Upgrade cards. (See brochure for details).
    - FE upgrade card.
    - Fire Protection upgrade card.
    - Professional upgrade card.
    - Barrier-Free Toilet upgrade card.
- Drawing Notes:
  - Drawing dimensions are in English & Metric units. Metric units are displayed as: 1" [25] millimeters.
  - Operator Dimensions:
    - Cement case: 7" [177] wide x 4 7/8" [124] high x 35 1/2" [901] long.
    - Typical block out depth for the cement case is 5 1/2" [140] minimum.
    - Approximate single operator weight: 30 lbs [13 kg].
  - Maximum Opening Angle 110°.
  - Not recommended for ANSI 156.10 use.
- Power Requirements:
  - 120V +/- 10%, 50/60 Hz, 6.6A peak (per operator). One operator per GFI circuit. Service to header by electrician.
- Standards of Compliance:
  - UL 325 & CSA 22.2 (listed with ETL).
  - Designed to comply with these standards depending on installation and application:
    - International Building Code (Section 1008).
    - ANSI/ BHMA 156.10 (Requires additional overhead activation and safety sensors). (May also require guide rails depending on configuration).
    - ANSI/ BHMA 156.19 (Requires additional knowing activation devices not shown in drawing).
    - NFPA 101 Life Safety Code (Section 7.2.1.9).
    - Electrical Safety Recognition: UL 50, CSA C22.2 # 94.1 (When weather seal is installed correctly).
  - Refer to Local, State, National or AHJ. Building Code for minimum door height and minimum/maximum width allowable for egress requirements.
- Contact Dorma Architectural Services for more information:
  - Email: SPECNOW@dorma.com
  - Phone: 1-844-SPEC-NOW (1-844-773-2669)

