



VARITRANS

Technical Details Glass Partition Systems
Compactline, Metalline

INTELLIGENT SOLUTIONS FOR SOPHISTICATED INTERIOR DESIGN REQUIREMENTS

Movable walls and partitions from DORMA Hüppe offer the very highest quality, functionality and variability for room-dividing and room-shaping applications. These high standards derive in particular from many years of know-how and accrued competence in system development. The first partition systems were introduced into the German market back in 1955. Since that time, movable walls from DORMA Hüppe have become established on a worldwide scale. With sophisticated aesthetics and functionally reliable technology, they create useful, variable areas and improve

the cost-efficiency of interior space provision. There are no limits to the flexibility that they afford. Indeed, almost every conceivable requirement can be satisfied by applying a corresponding solution from DORMA Hüppe. The company also supplies systems with movable, transparent glass frontages for shopping malls, showrooms or customer service areas in banks – so rounding off an enormous range of interesting perspectives in living area design for today and tomorrow.



CONTENTS

Varitrans	Properties and features	3
	Models	4
	Type overview	5
	Vertical cut	6
	Horizontal cut	7
	Element types	8
	Details of elements	10
Schienensystem	K track	12
	R track	13
Varitrans	Parking layout	14
	ComfortDrive – fully automatic	15



DORMA HÜPPE VARITRANS GLASS PARTITION SYSTEM

Properties and features

- Variable, transparent room divider with individually operable glass panels
- Functional design combined with high innovative quality
- Aesthetic, timeless styling
- Two product variants: Compactline, Metalline
- Panel heights:
Manual: 3,500 mm,
Automatic: 4,000 mm
- Panel widths:
800 – 1,300 mm
- Automatic and manual operation possible
- Exceptional user convenience
- Toughened safety glass (TSG) and laminated safety glass (LSG) constructions
- Wide selection of panel types
- Systems can be equipped with angled and pass door panels as required
- Compact stacking arrangements in the parking position
- Uniform appearance
- Functional components invisibly integrated in the profiles
- Multiple layout designs: straight, angled, circular and polygonal configurations possible
- Glass design possibilities: screen printing, sand etching, transfers, artistic designs and plenty more
- High level of safety



You can find further details on the Varitrans featuring the automatic operator system in the technical brochure entitled **Varitrans ComfortDrive**

Further detailed information (brochures, folders, technology etc.) about our product range can be found in our product range file, available to order from our sales force.

MODELS

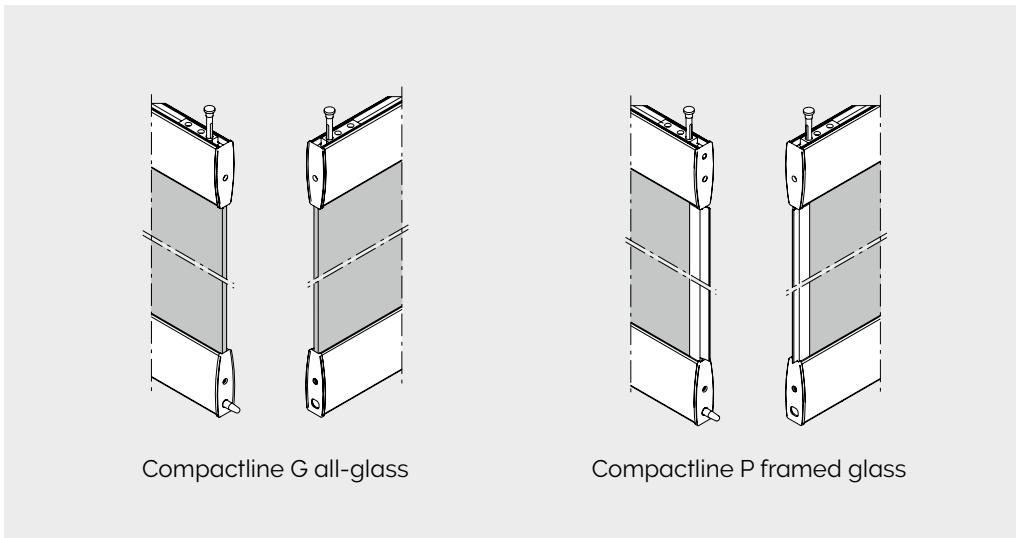


Features	Compactline		Metalline	
	Manual	ComfortDrive (fully automatic)	Manual	ComfortDrive (fully automatic)
Benefits	Characteristics		Operable sliding glass panel partition system with elegantly curved profiles providing a continuous, compact appearance	
	Components		All glass (horizontal profiles) and fully framed glass (horizontal and vertical profiles)	
	Application		Internal applications	
Dimensions	Element width in mm		800 – 1,300	
	Element height in mm (max.)		3,500*	4,000
	Element weight in kg (max.)		300	250
	Glass thickness in mm		TSG: 10, 12; LSG: 11.5	
Operating system	Manual ComfortDrive (fully automatic)		Light, manual sliding of the elements. Very simple operation. Minimal opening noise thanks to precision tracks of aluminium	Electric single-drive operators for the elements with self-monitoring processor for maximum reliability
	Manual ComfortDrive (fully automatic)		Light, manual sliding of the elements. Very simple operation. Minimal opening noise thanks to precision tracks of aluminium	Electric single-drive operators for the elements with self-monitoring processor for maximum reliability
Construction	Glass type		Toughened safety glass (TSG), Laminated safety glass (LSG)	
	Fixing elements		Horizontal aluminium clamping profiles; aluminium covers; plastic end covers; optional vertical profile framing	
	Sealing top/bottom		Small gap between element and track	
Equipment	Glass framing		All glass: horizontal Fully framed glass: horizontal and vertical	
	Element types		Full wall element, pass door element (stationary or sliding), angled element, corner element, wall abutment element	
	Pass door elements with bespoke handle		Fixed full-height double action door as wall abutment element. Sliding pass doors, single or double-leaf	
	Door closers		Overhead door closer for sliding pass door element, floor spring for fixed full-height pass door element	
	Element locking		Floor bolt locking device provided per element; locking of the elements to one another by interlocking profiles to prevent lever attack ('jimmying')	
	Glass framing		Stainless steel single-point fixings	
	Element types		Full wall element, angled element, corner element, wall abutment element, pass door element	
Security	Pass door elements with bespoke handle		Fixed full-height double action pass door as wall abutment element	
	Door closers		Floor spring for fixed full-height pass door	
Element locking		Floor bolt locking device provided per element; unlocking protection to prevent unauthorised opening; guide, glass fixing and locking device as single functional unit		
Security		<ul style="list-style-type: none"> • Electrically locking panic locks (EVP) to lock automatically • Blocking element (shunt lock) to activate burglar alarms • Contact bridge to detect low-voltage currents to the alarm system • Bolt contact to check locks 		

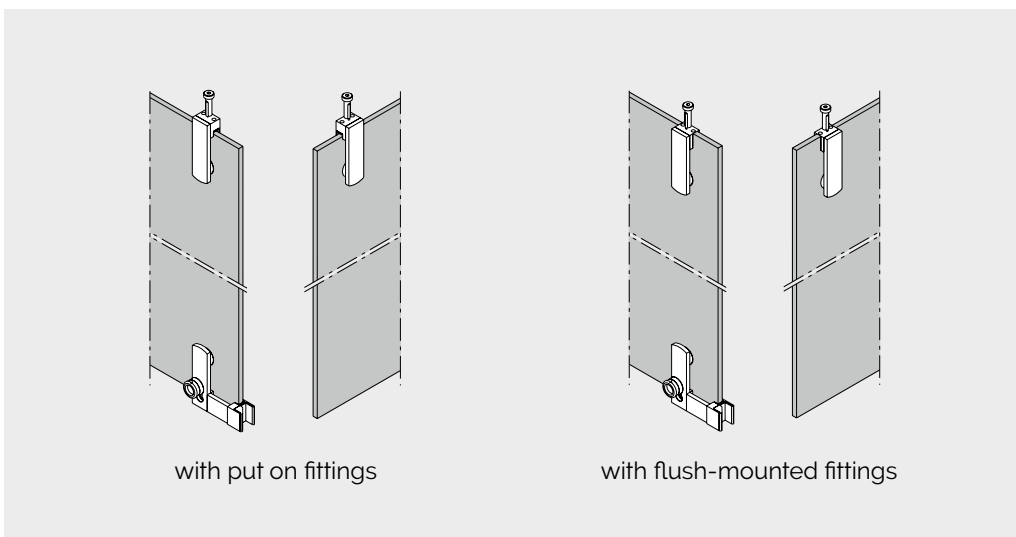
*up to 4.000 mm possible on request

TYPE OVERVIEW

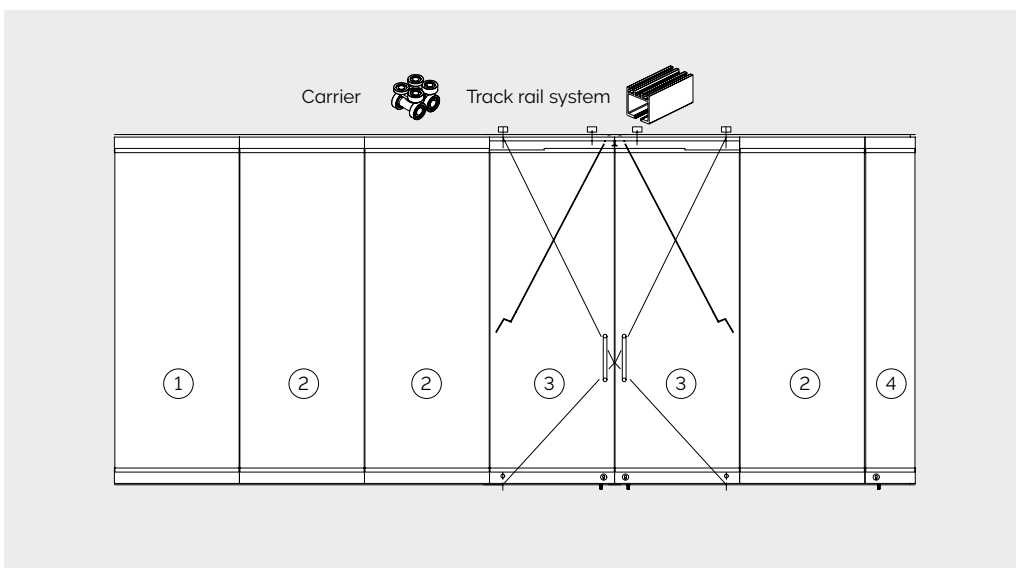
Compactline



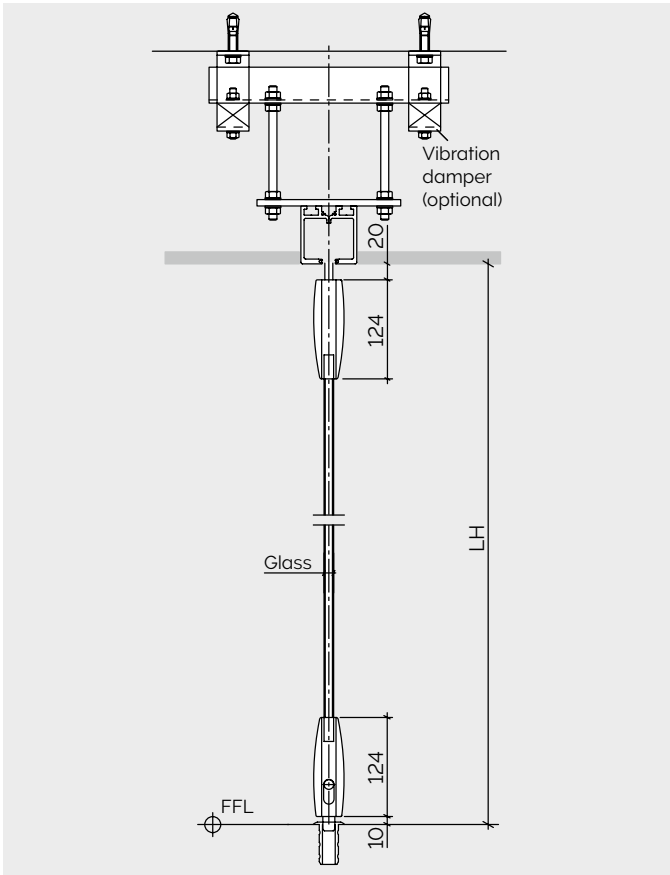
Metalline



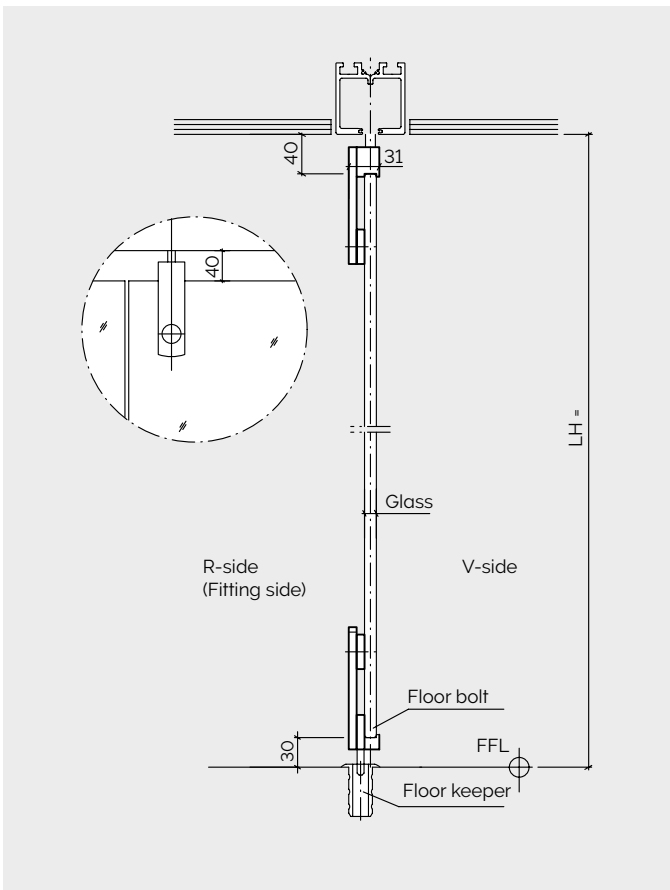
Partition assembly



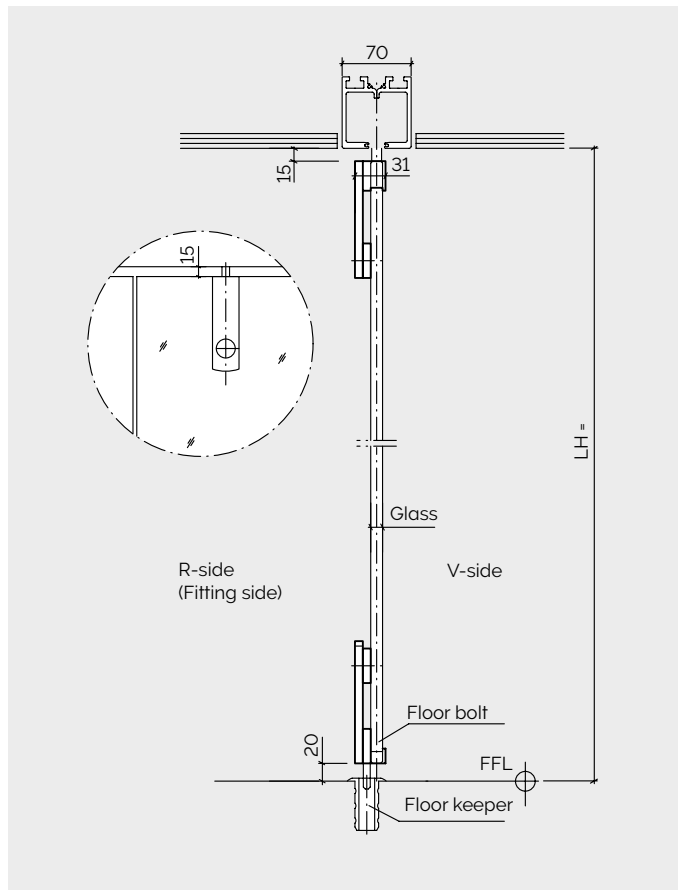
Compactline – All Glass



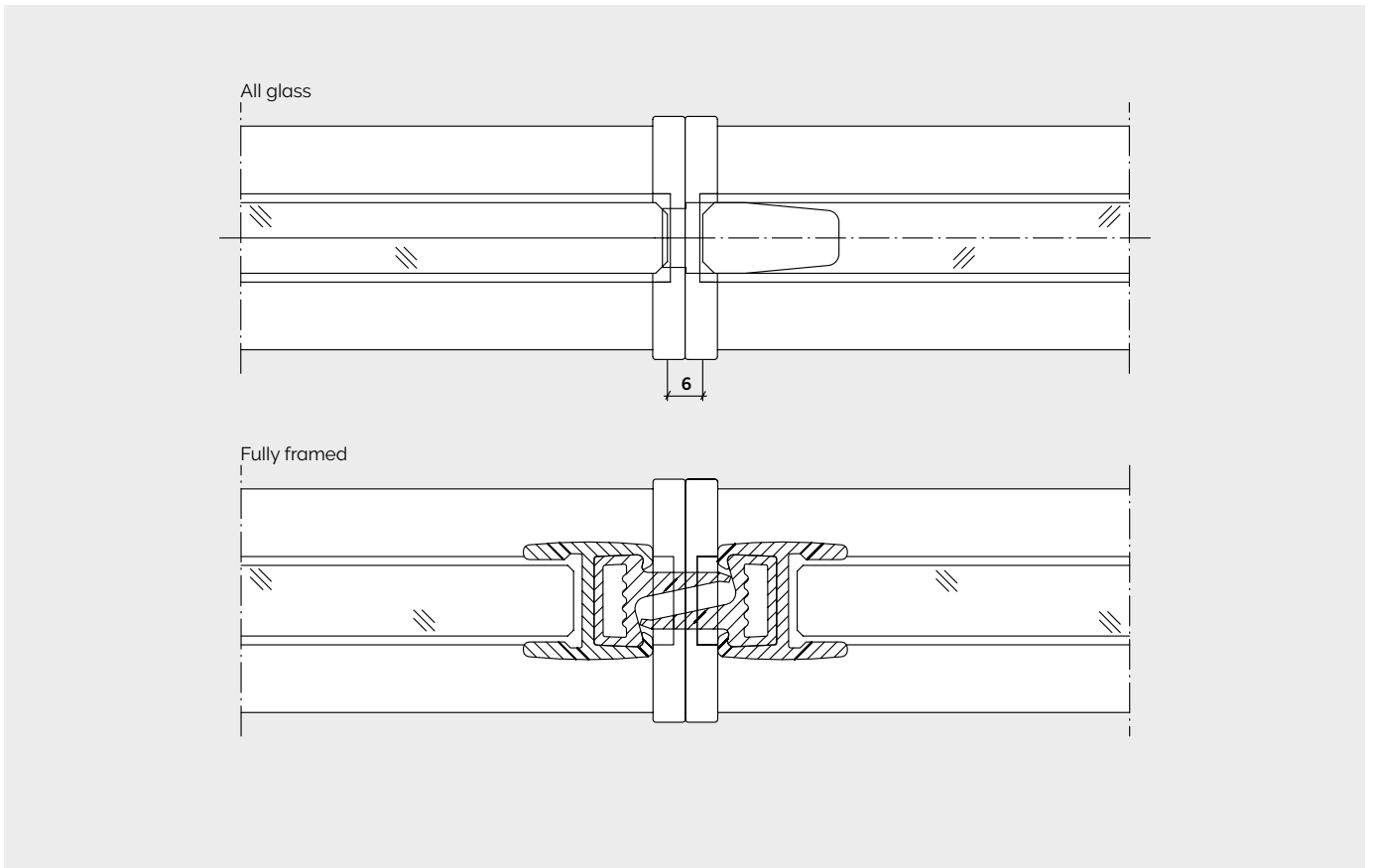
Metalline with put on fittings



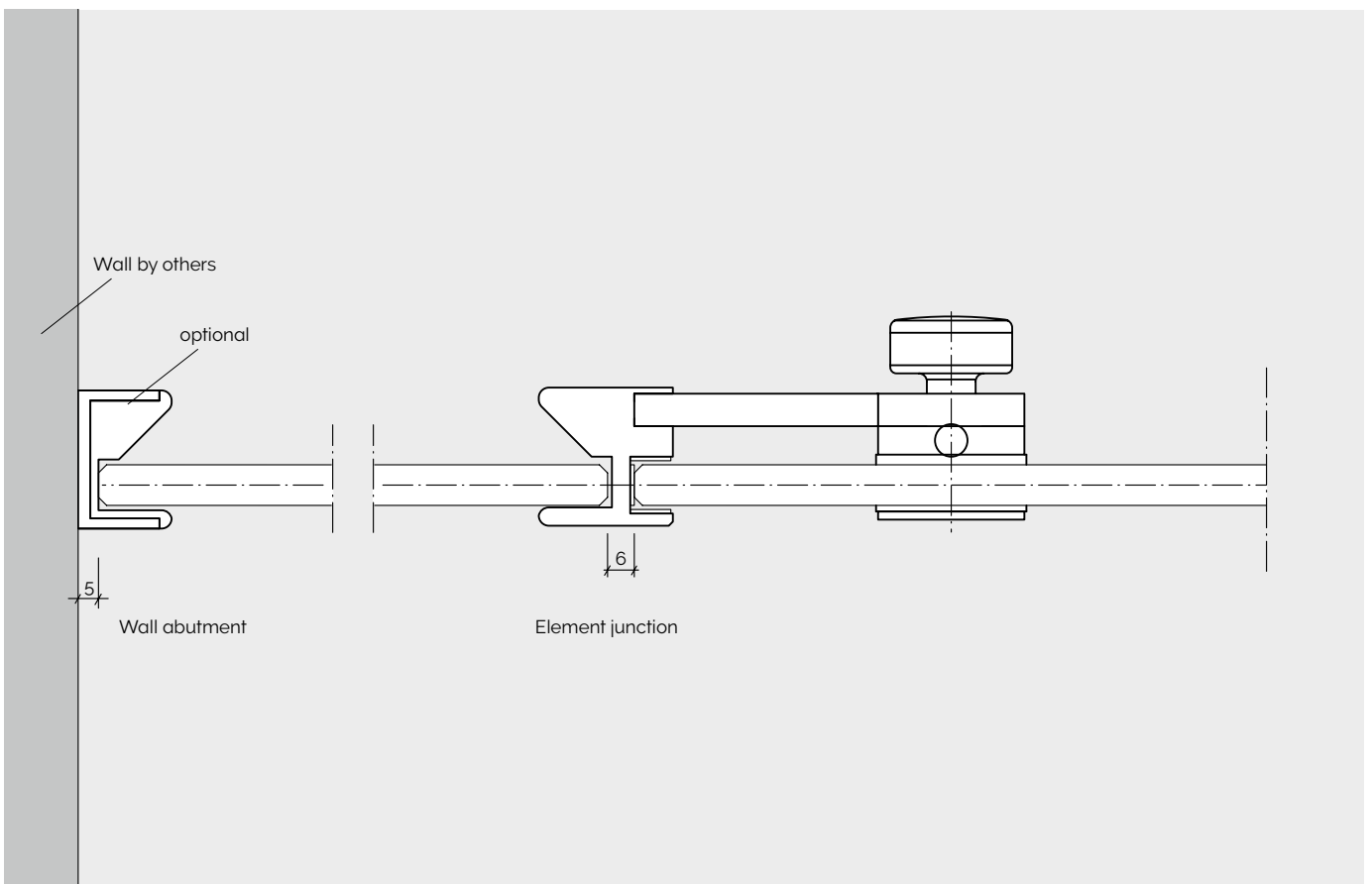
Metalline with flash-mounted fittings



Compactline

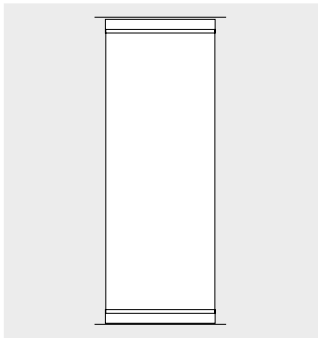


Metalline



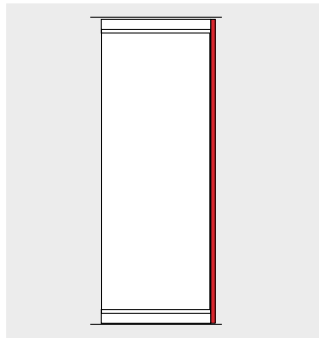
COMPACTLINE – ALL GLASS

VE



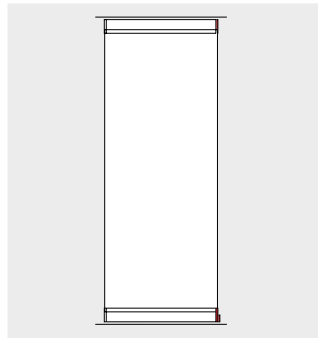
Full wall element

EE



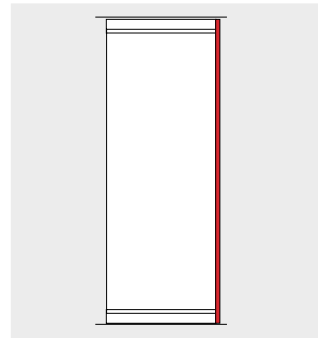
Corner element

WE



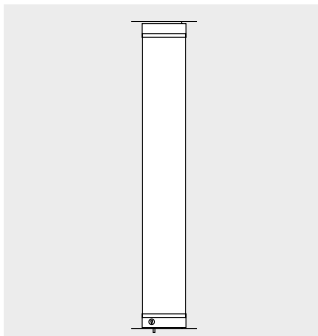
Angled element 160° – 175°

WE



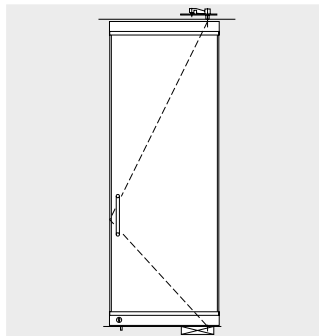
Angled element 99° – 159°

WK



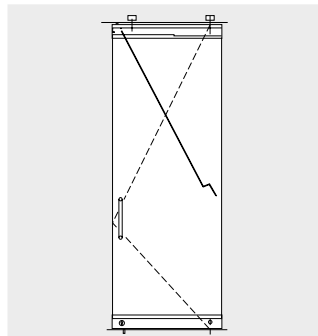
Wall abutment element

PT



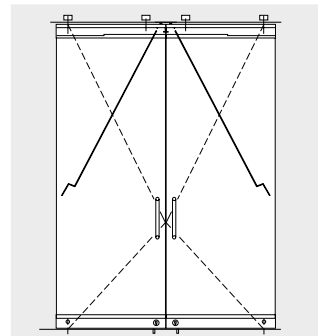
Double action door, fixed

DT



Pass door, sliding*

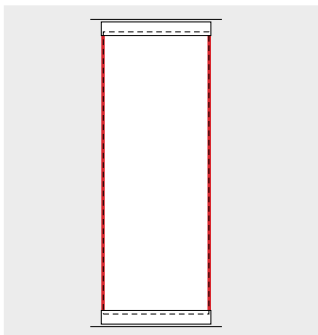
DTZ



Pass door, sliding*

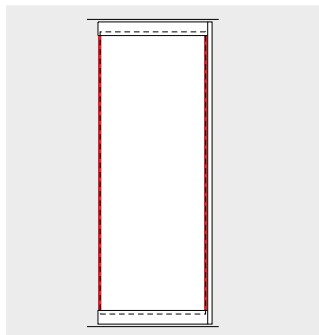
COMPACTLINE – FULLY-FRAMED

VE



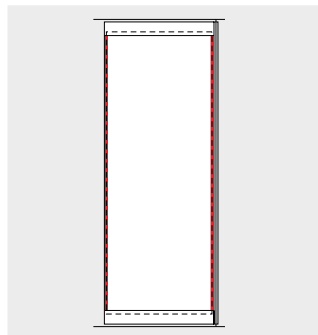
Full wall element

EE



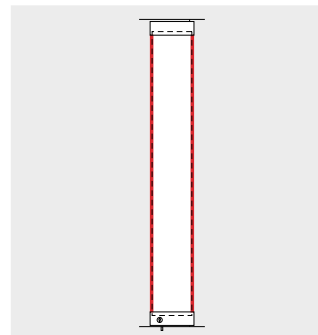
Corner element

WE



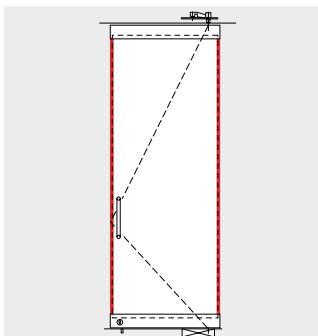
Angled element 99° – 175°

WK



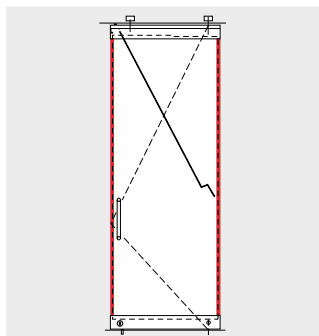
Wall abutment element

PT



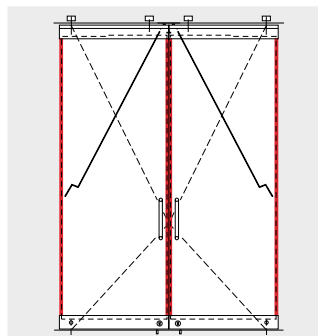
Double action door, fixed

DT



Pass door, sliding*

DTZ

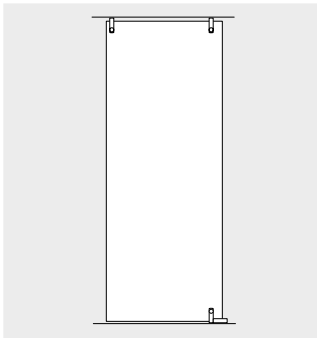


Pass door, sliding*

*not for Varitrans-ComfortDrive

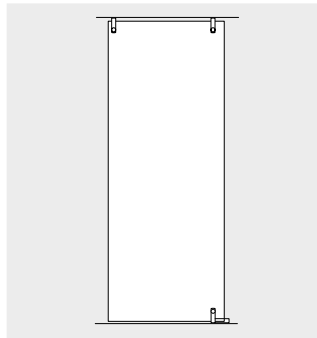
METALLINE

VE



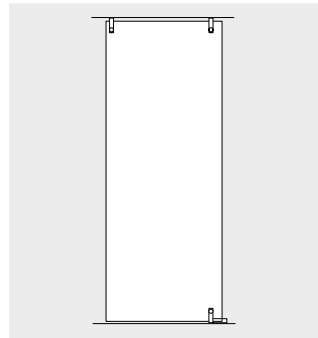
Full wall element

EE



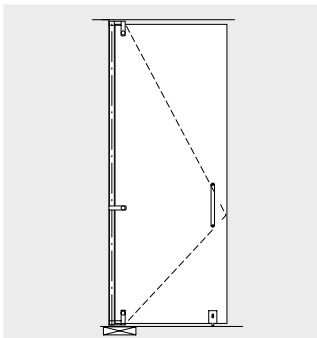
Corner element

WE



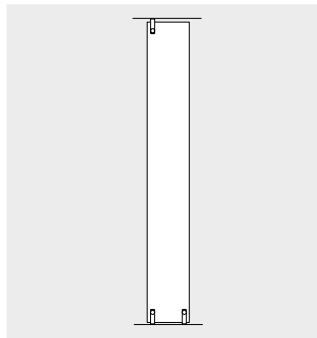
Angled element

PT



Double action door, fixed

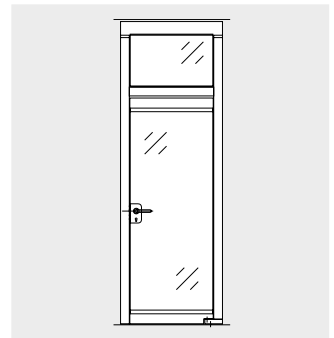
WK



Wall abutment element

For Metalline and Compactline.
Full Automatically operable pass door (can also be used for manual system)

DT-H

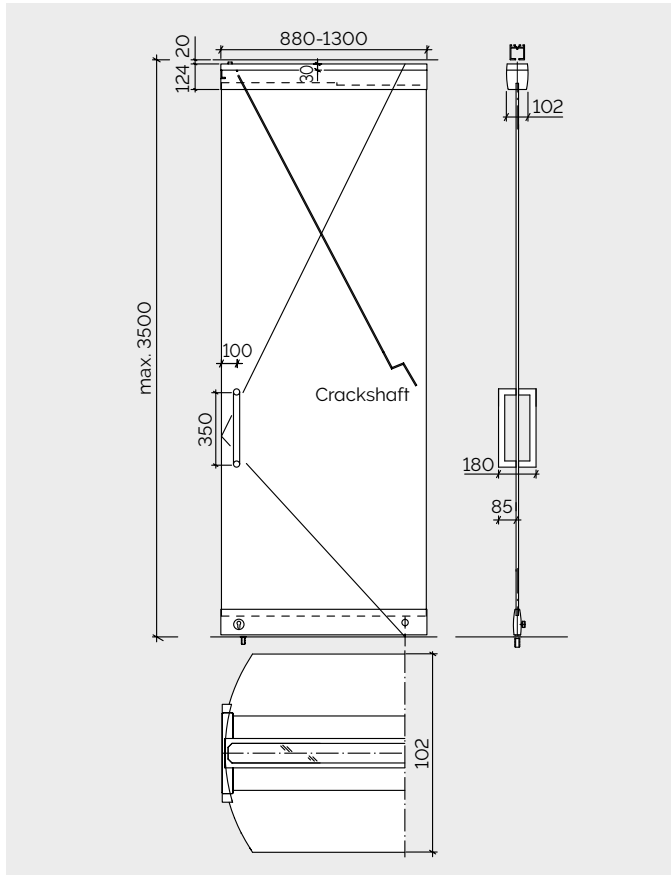


Pass door, H-frame

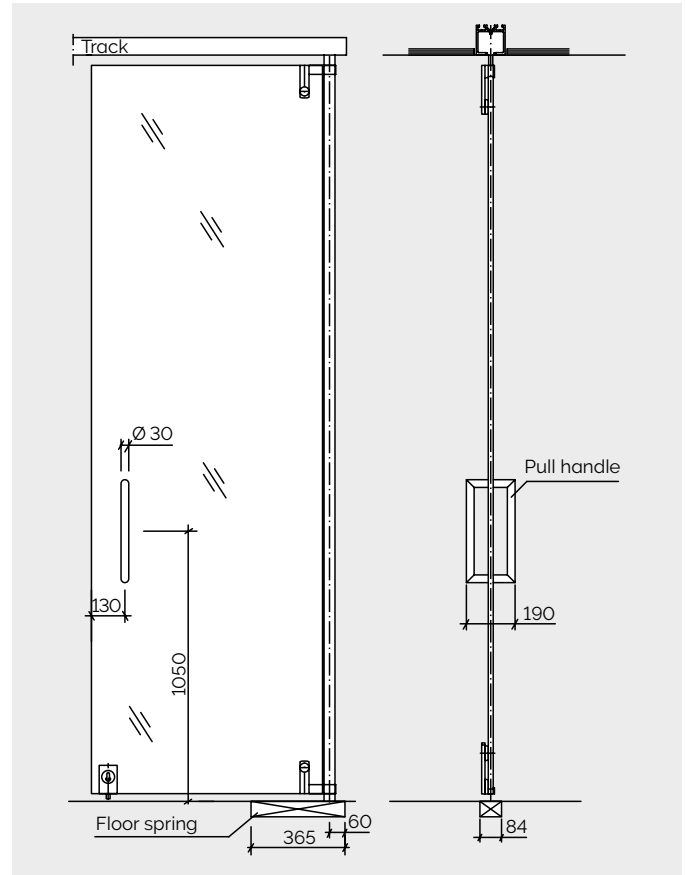


DETAILS OF ELEMENTS (PT, DT, DT-H)

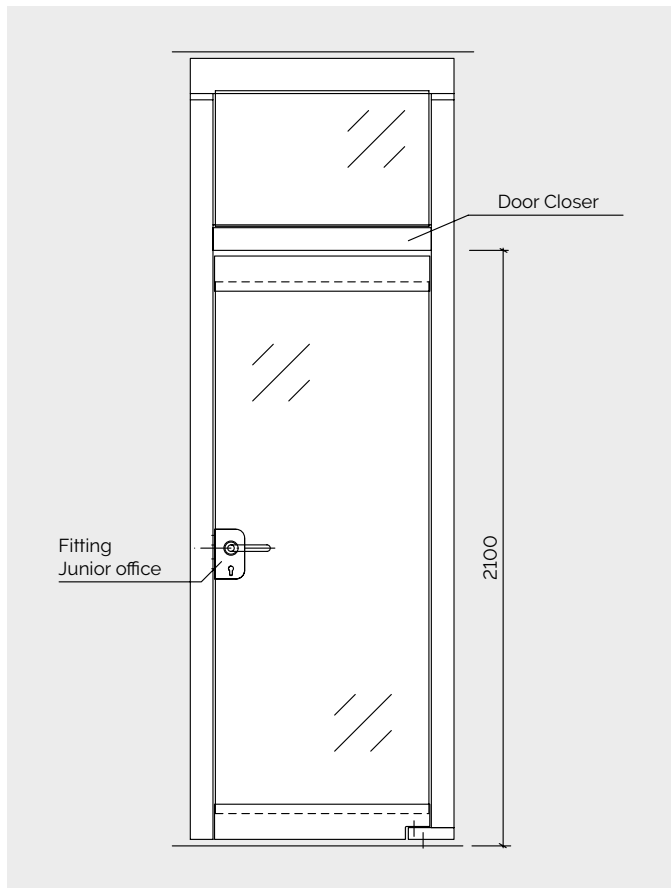
Compactline access door (DT)



Metalline Double action door (PT)

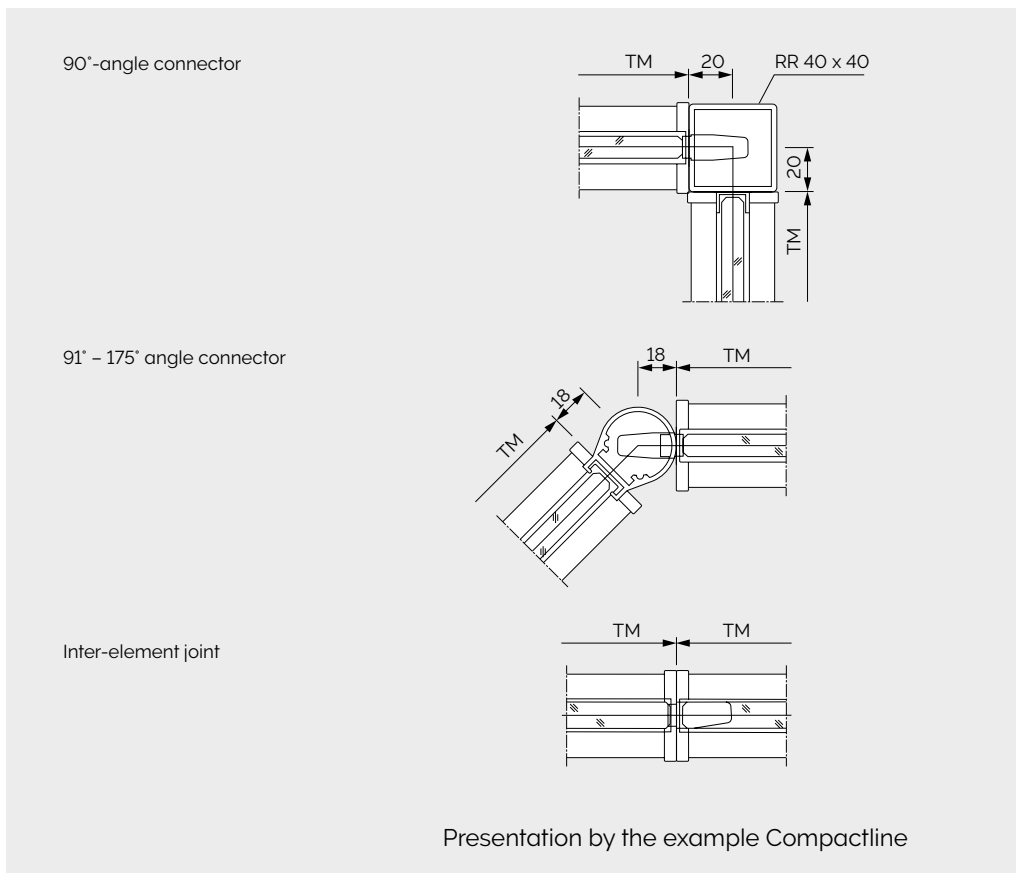


Pass door movable with H-frame (EM)

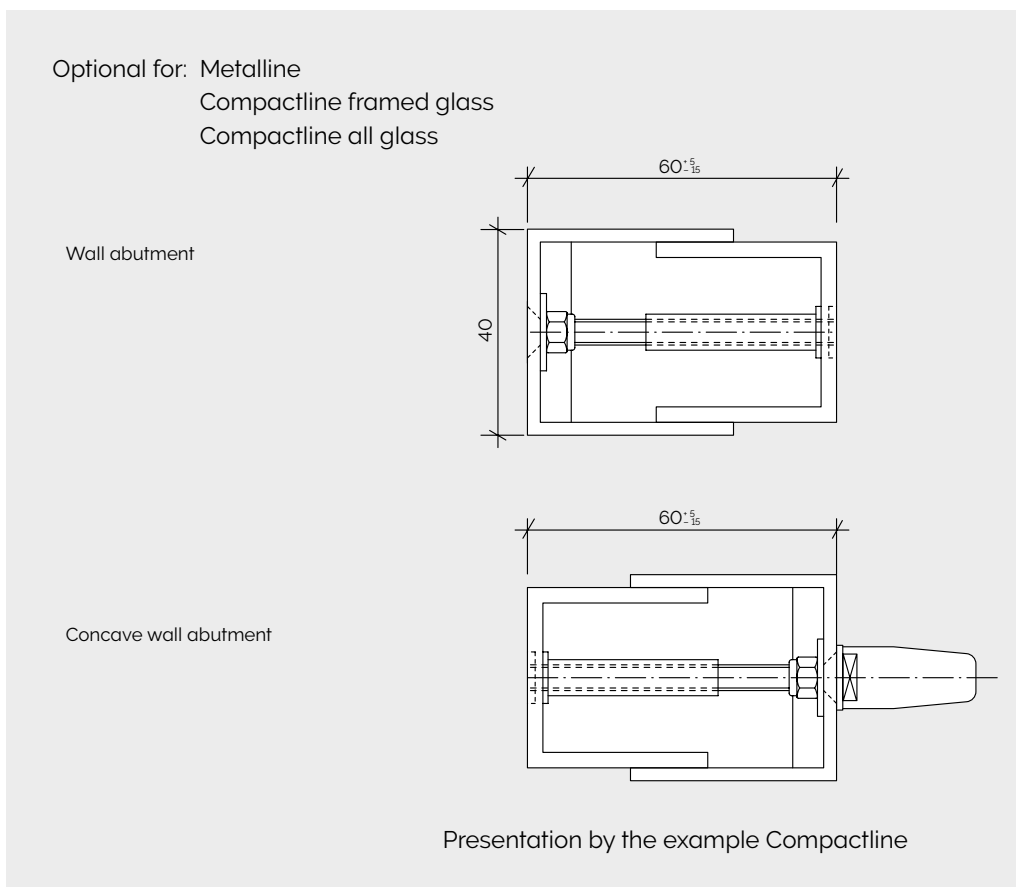


DETAILS OF ELEMENTS (CONNECTORS, WA, SL)

Connectors



Wall abutment / Concave wall abutment

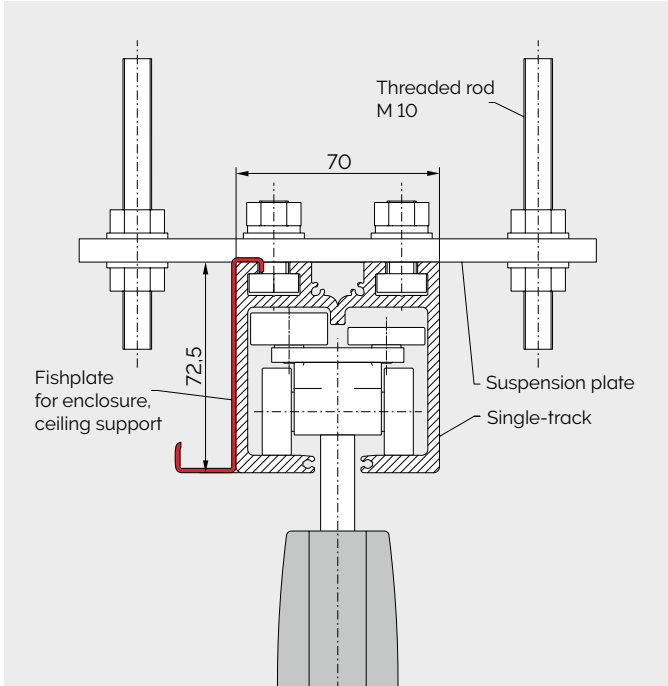


TYPE K TRACK SYSTEM

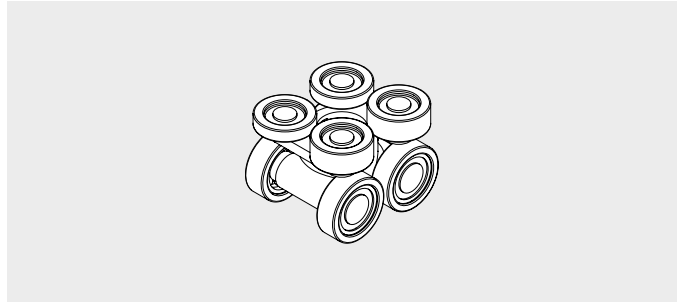
Track system featuring minimum dimensions. The mechanically coded branching system with curves and switches ensures simple operation when moving the elements. Curved system configurations are possible. Element weight up to 250 kg.



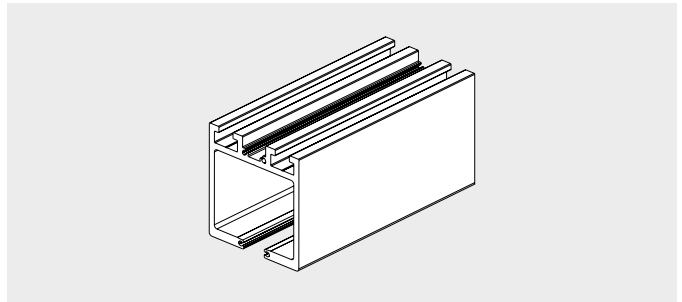
Vertical section through K track – Varitrans



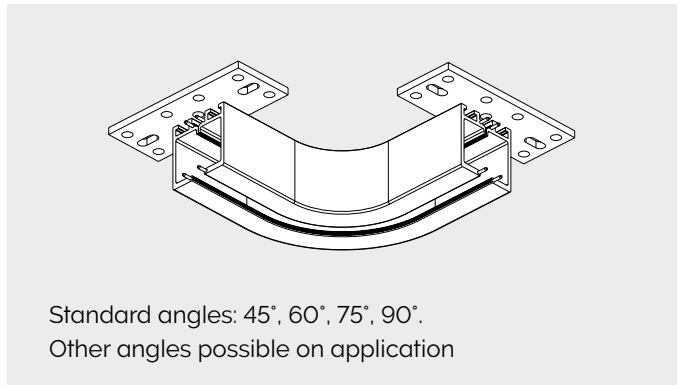
Roller assembly



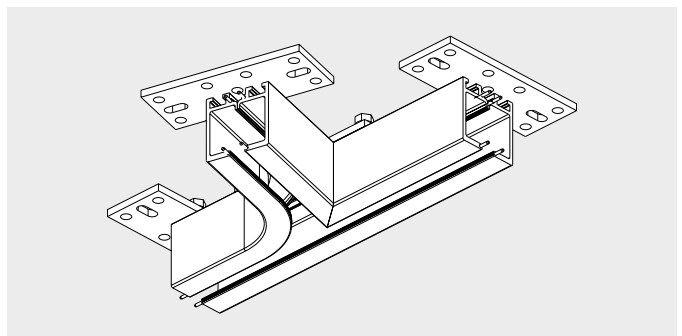
K track, straight



K track, curved

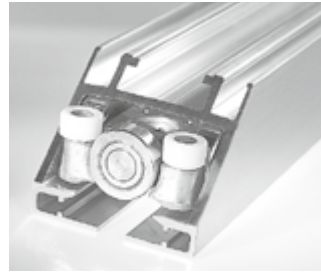


K track switch

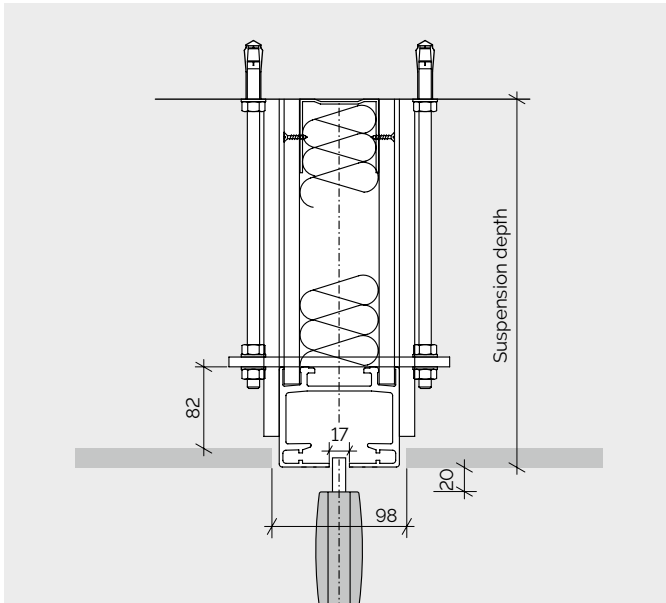


TYPE R TRACK SYSTEM

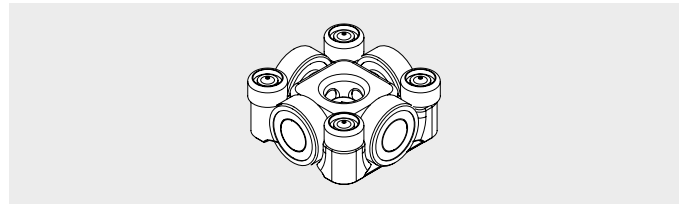
Track system for 90° branches with cross-roll travel paths. Suitable for a wide range of layout designs. Guide rollers in the branching junctions and intersections ensure that the elements remain level as they cross or change direction.



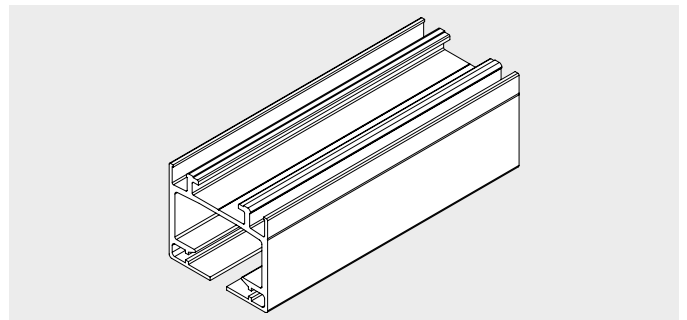
Vertical section through R track



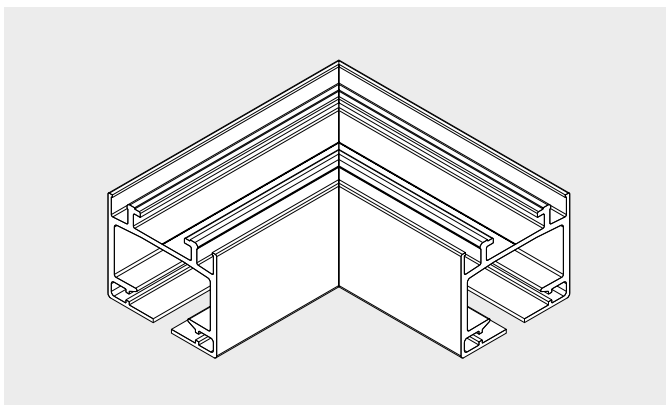
Roller assembly



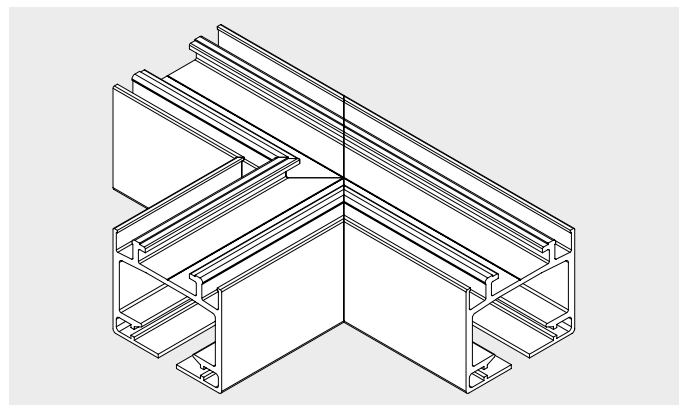
R track



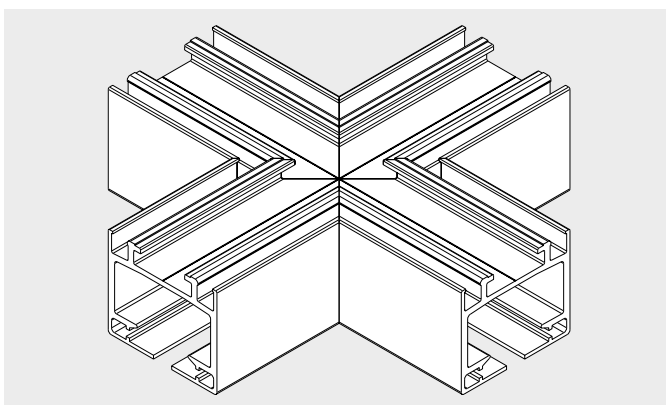
Corner section



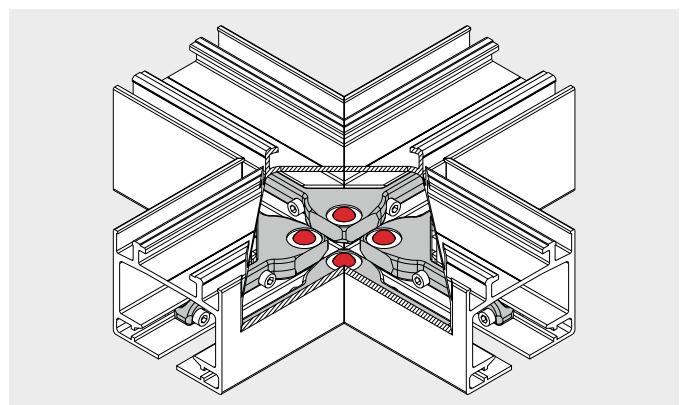
T-piece



Intersection



Intersection with support rollers

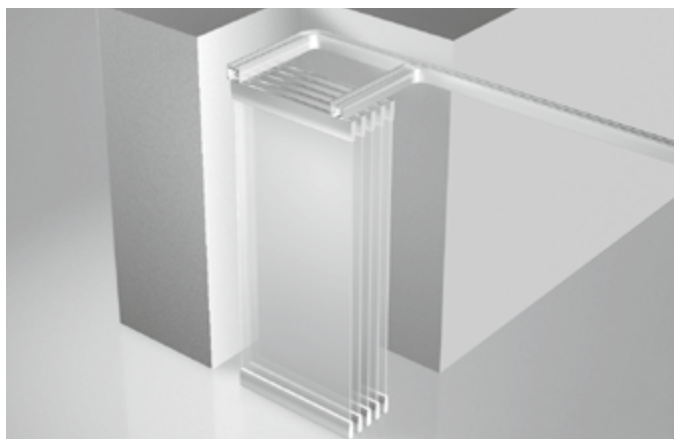


PARKING LAYOUTS

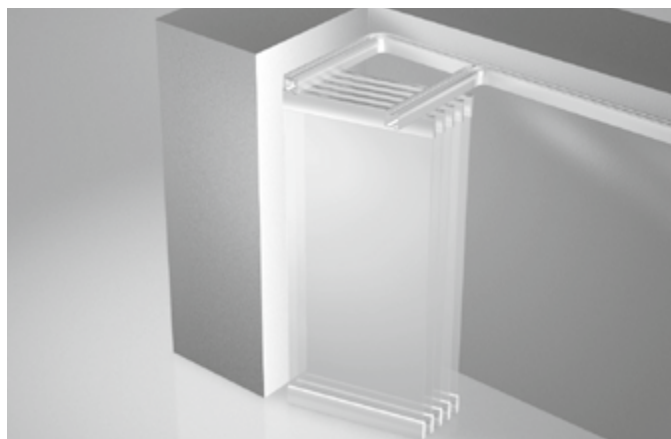
The individual elements of the DORMA Hüppe Varitrans system only require a small amount of space when stacked out of the way. They can therefore be parked in any small pocket or corner for maximum visual tidiness. The individual panels move so easily that transfer to the stacking section and the parking operation itself could not be easier. The requirements of the manual and automatic modes are, however, different. Consequently, it is advisable during the

planning phase to consult DORMA Hüppe as to which stacking track configuration is the best suited to your application. Irrespective of whether the system is automatically or manually operated, however, maximum functional reliability and convenience are always ensured. Depending on the requirements of the application, the parking of the panels can be implemented in various ways. The following figures show just some of the possibilities available.

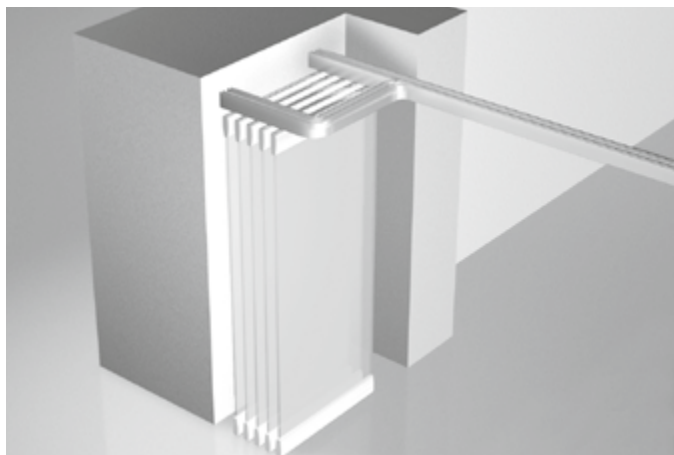
A: Parallel stacking in a niche or pocket



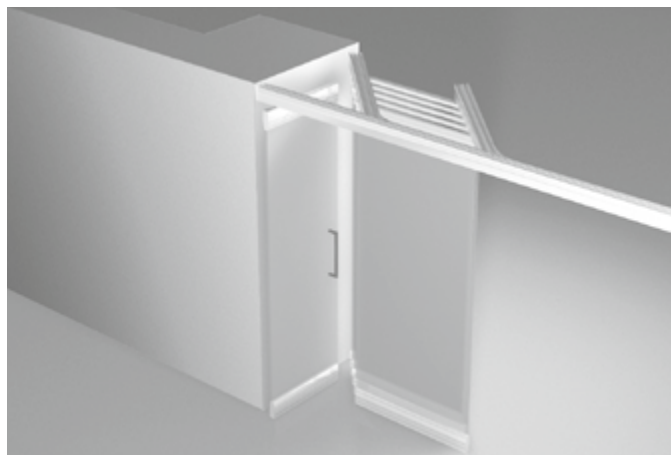
B: Slightly angled stacking



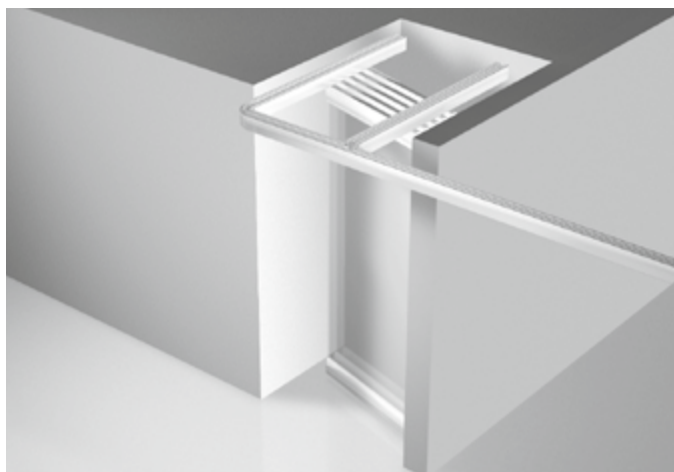
C: 90° stacking in an open panel pocket



D: Stacking at a slight angle in the through-passage area



E: Stacking in a U-pocket



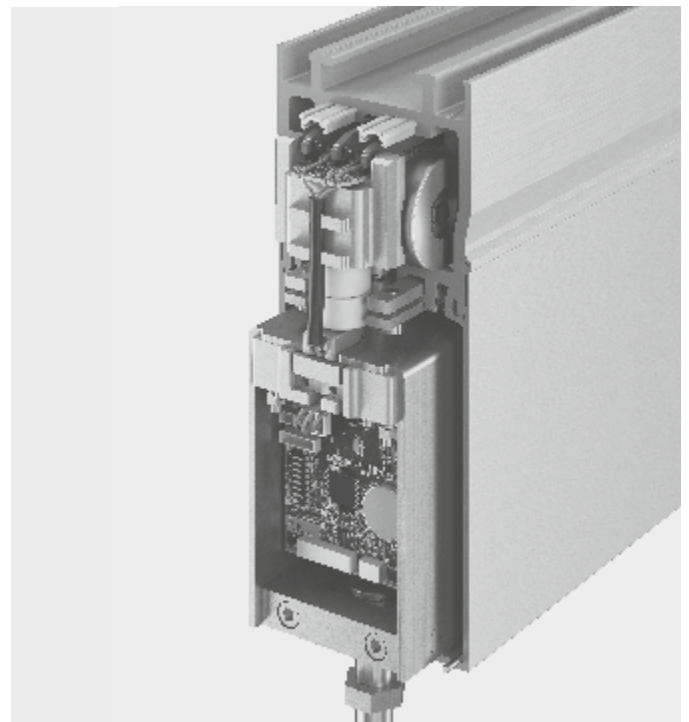
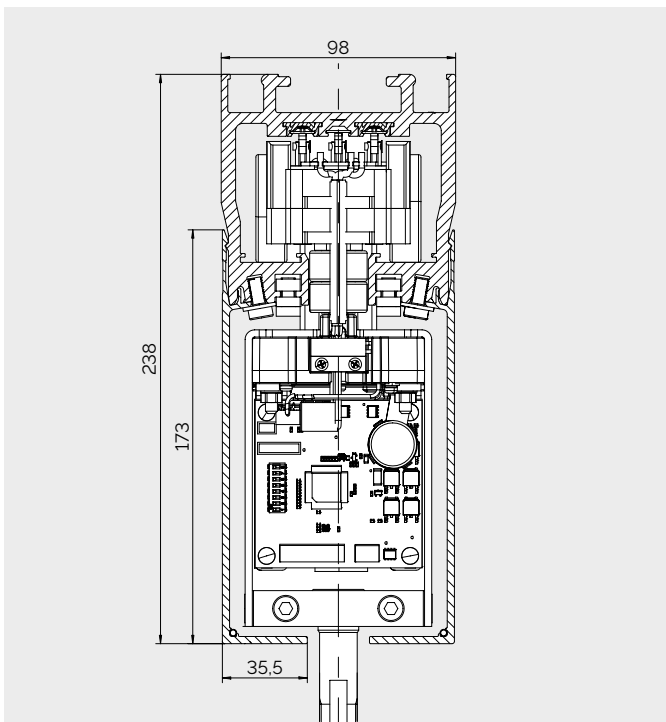
F: Left and right "goalpost" stacking



TRACK SYSTEM FOR FULLY AUTOMATIC DRIVE

In the fully automatic ComfortDrive model, the elements move to their individually preprogrammed positions at the push of a button, offering maximum convenience with fast location and removal speeds. And both segmented and curved track configurations are possible. You can find further details on the Varitrans featuring the automatic operator system in the technical brochure entitled Varitrans ComfortDrive.

Varitrans ComfortDrive



Presentation with drive wagon



 **DORMAHÜPPE** **SKYFOLD****dormakaba Group**

WN 052 834 51532 · EN · 05/18 · Subject to change without notice

DE**DORMA Hüppe
Raumtrennsysteme GmbH + Co. KG**

Industriestraße 5

26655 OCHOLT

GERMANY

Phone +49 4409 666-0

Fax +49 4409 666-489

info-hueppe@dormakaba.com

www.dorma-hueppe.com

AT**DORMA Hüppe Austria GmbH**

Hollabernerstraße 4b

4020 LINZ

AUSTRIA

Phone +43 732 600451

Fax +43 732 650326

office@dorma-hueppe.at

www.dorma-hueppe.at