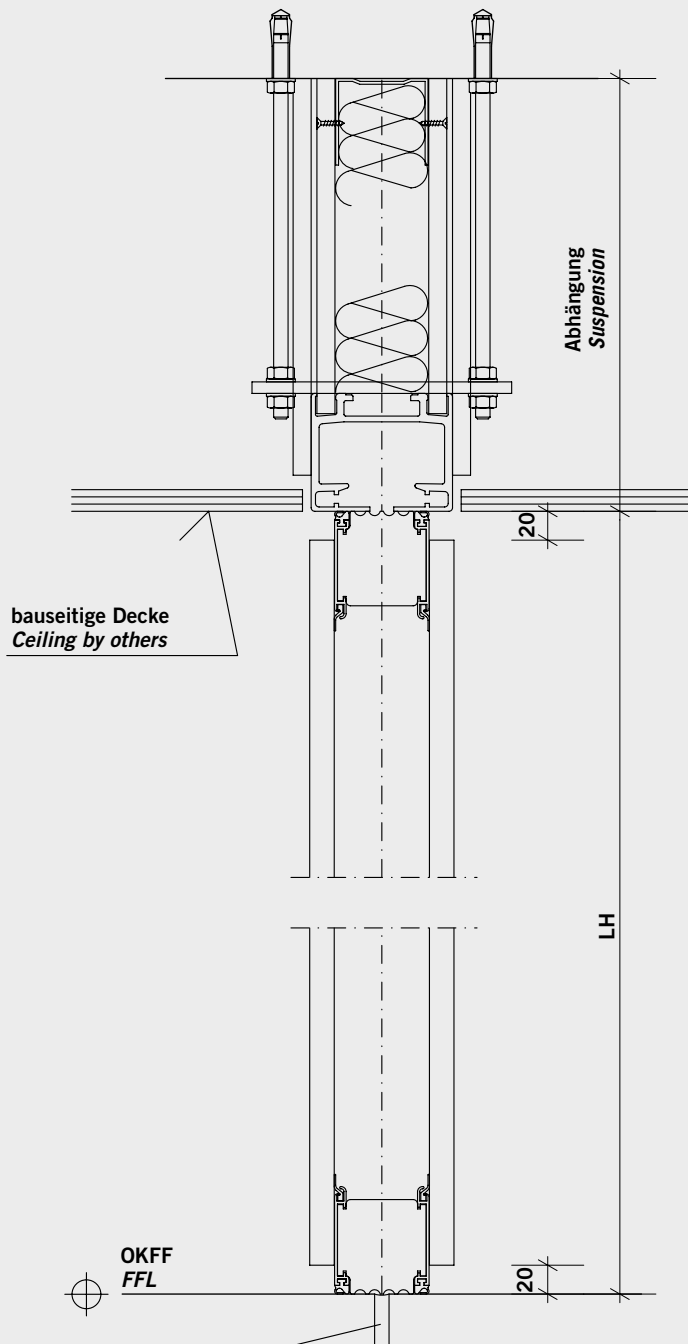


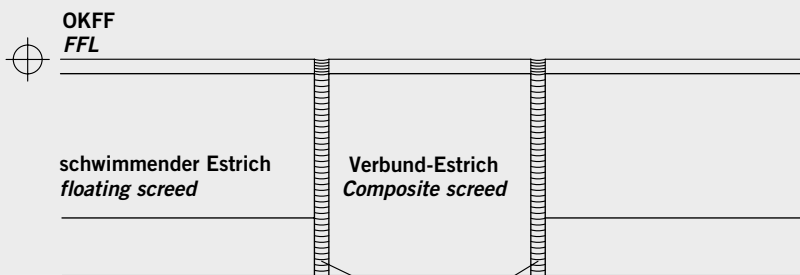
VARIFLEX

VE Vertikalschnitt / Vertical cut M, HA

Vollwandelement
Fullwall element



Bauseitige einfache Trittschallfuge (Ausführungsvorschlag bis $R_w = 55$ dB)
Joint against footfall sound by others (suggestion for sound rating up to $R_w = 55$ dB)



Bauseitige doppelte Trittschallfuge (Ausführungsvorschlag ab $R_w = 56$ dB)
Joint against footfall sound by others (suggestion for sound rating from $R_w = 56$ dB)